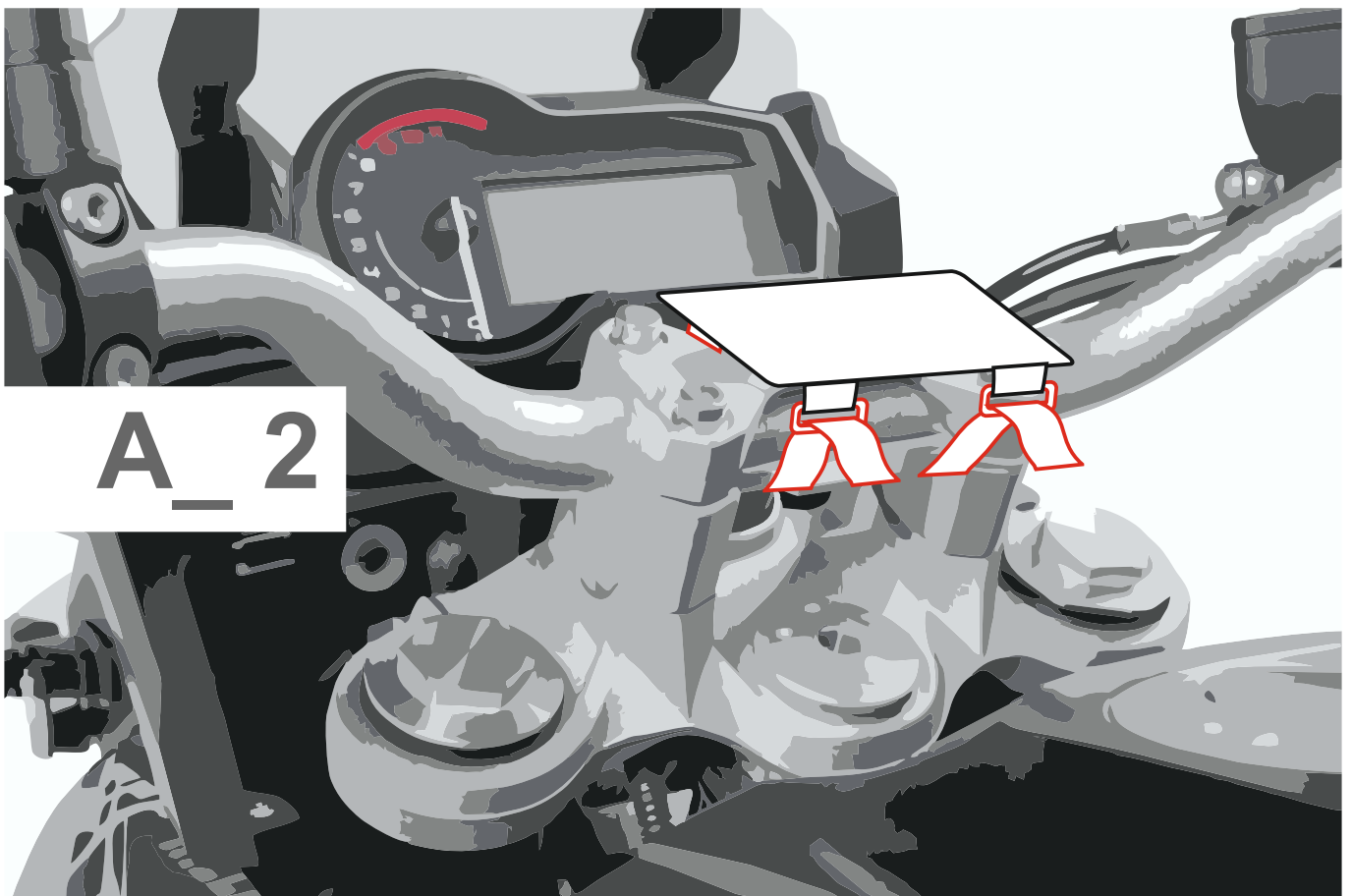
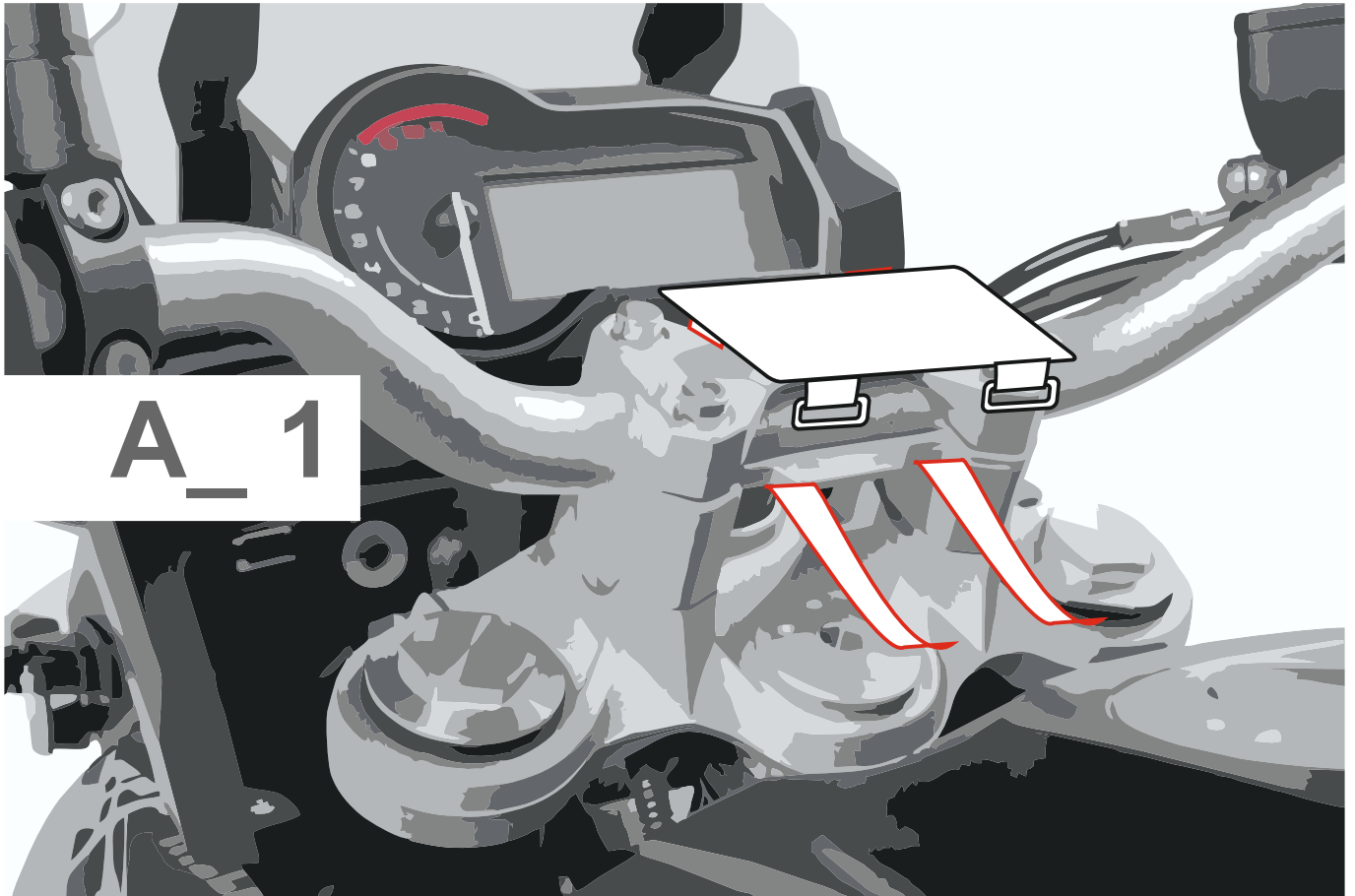
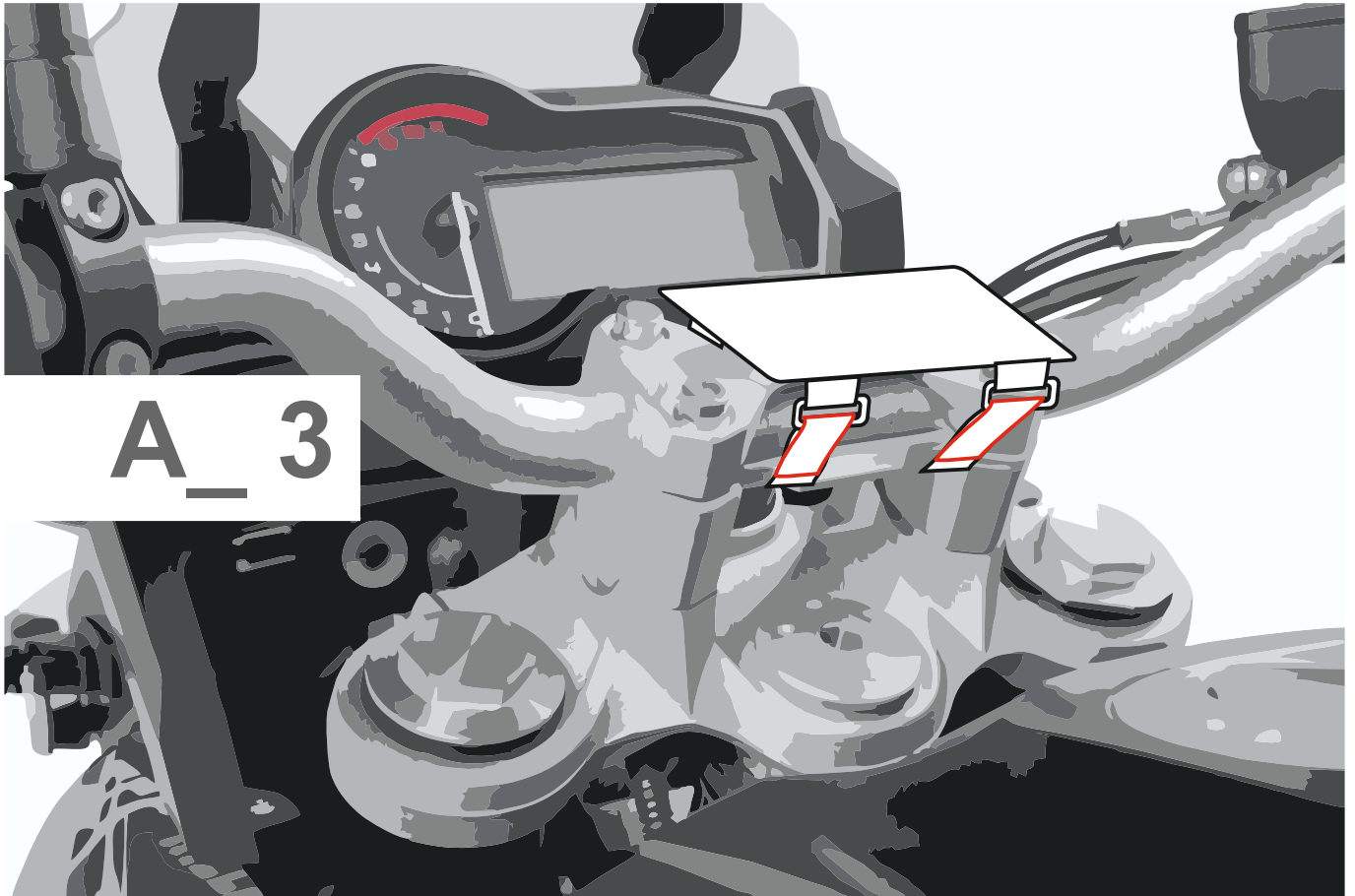


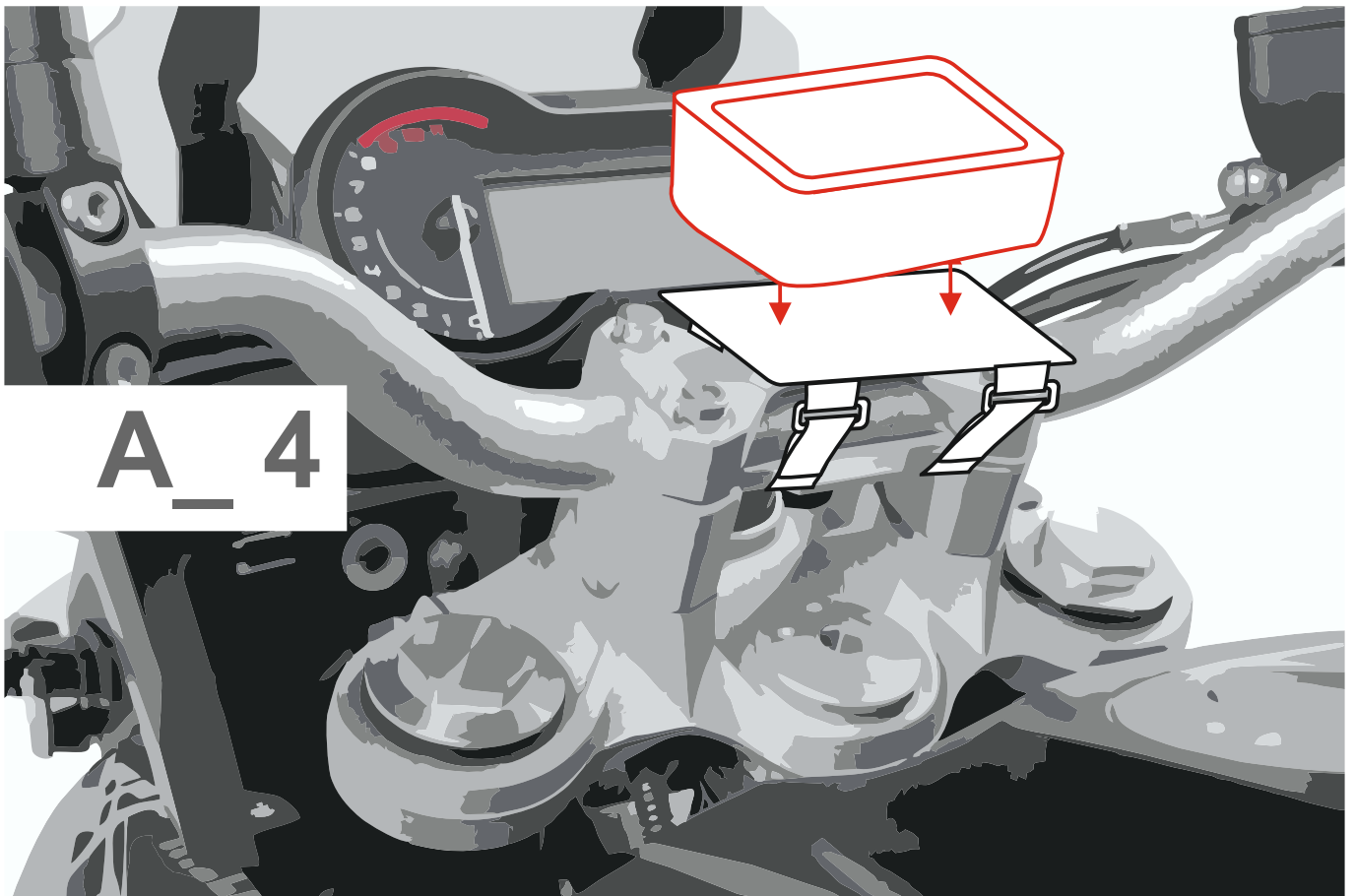
OPTION \_ A



OPTION \_ A

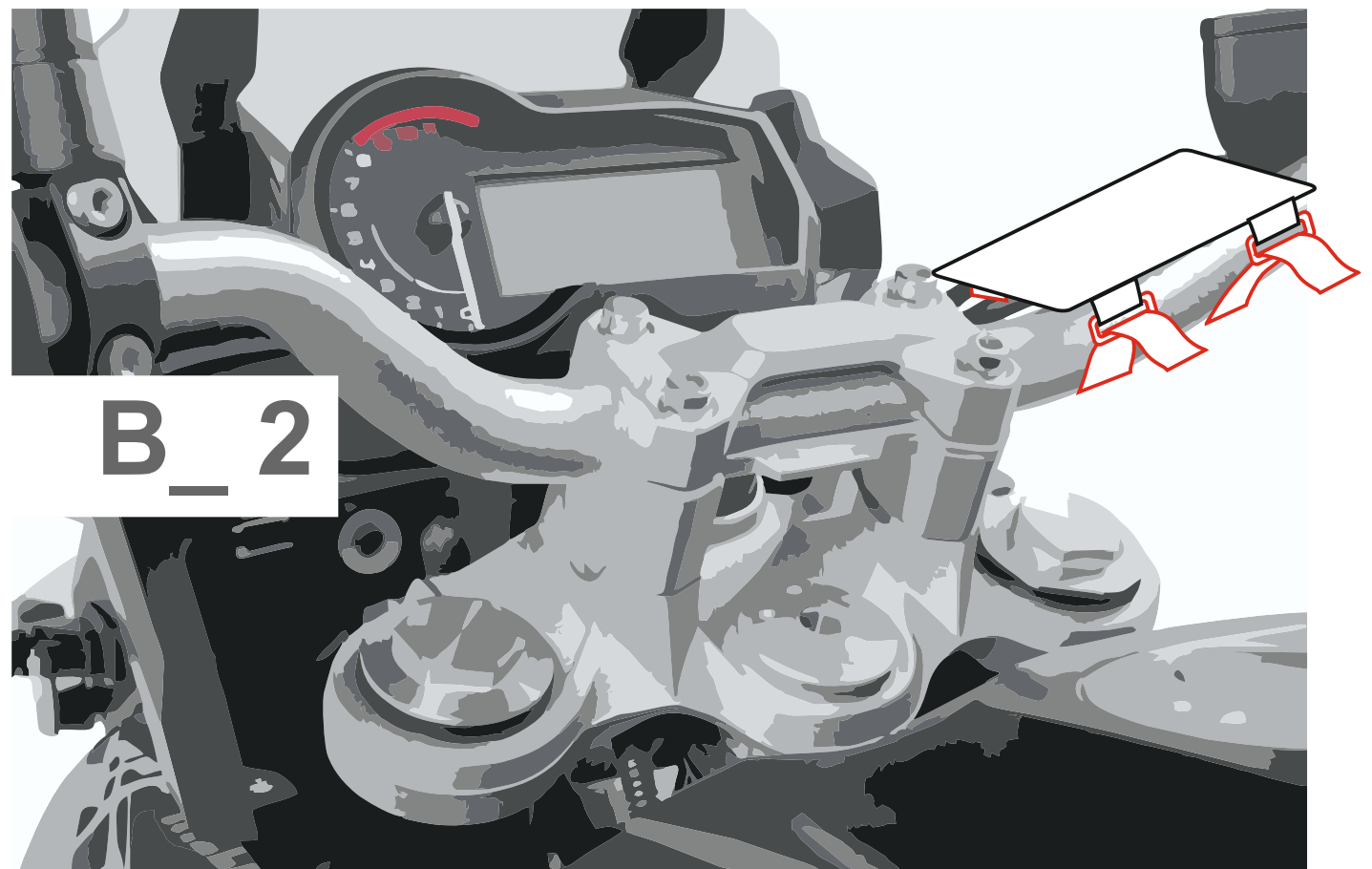
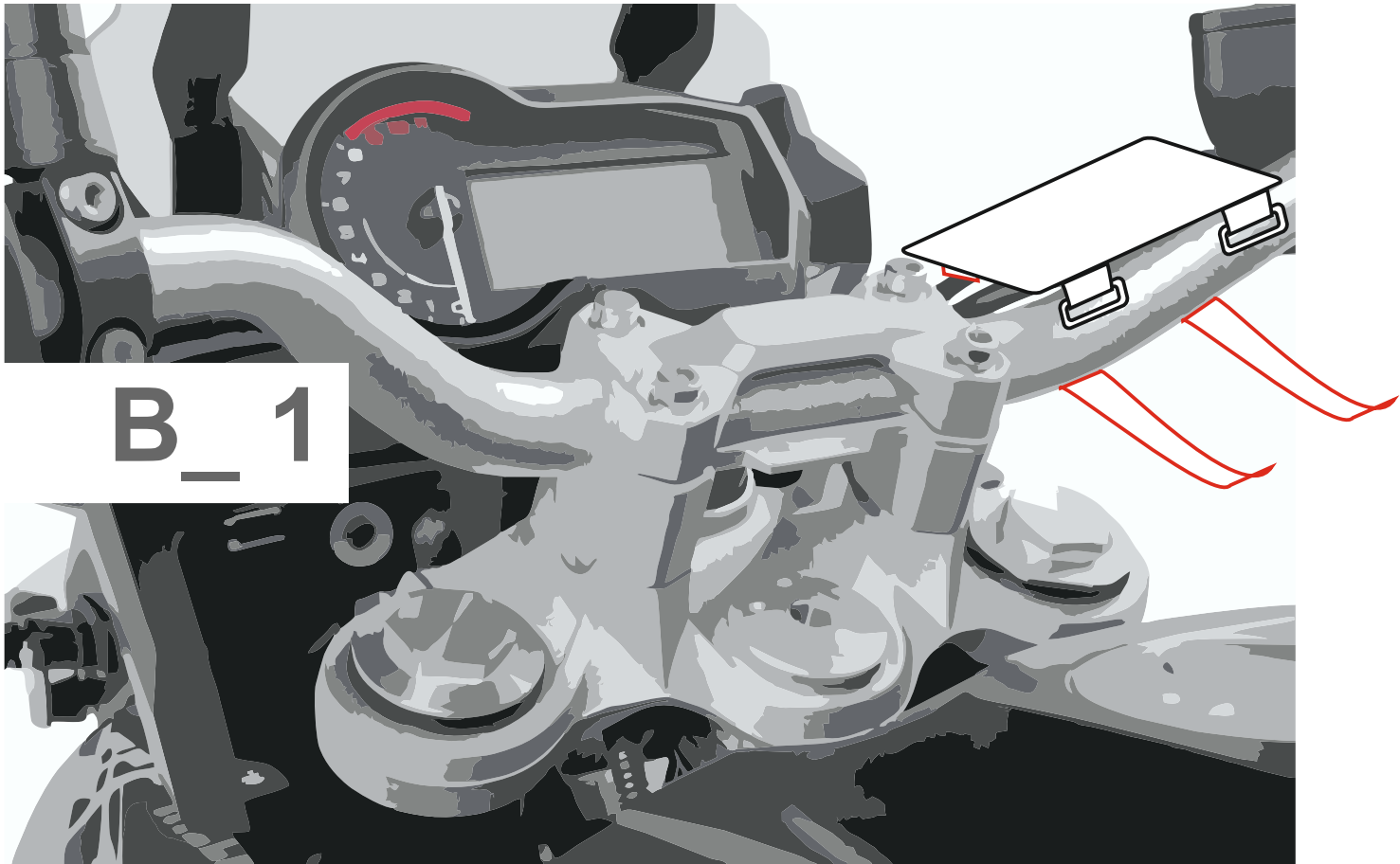


A\_3

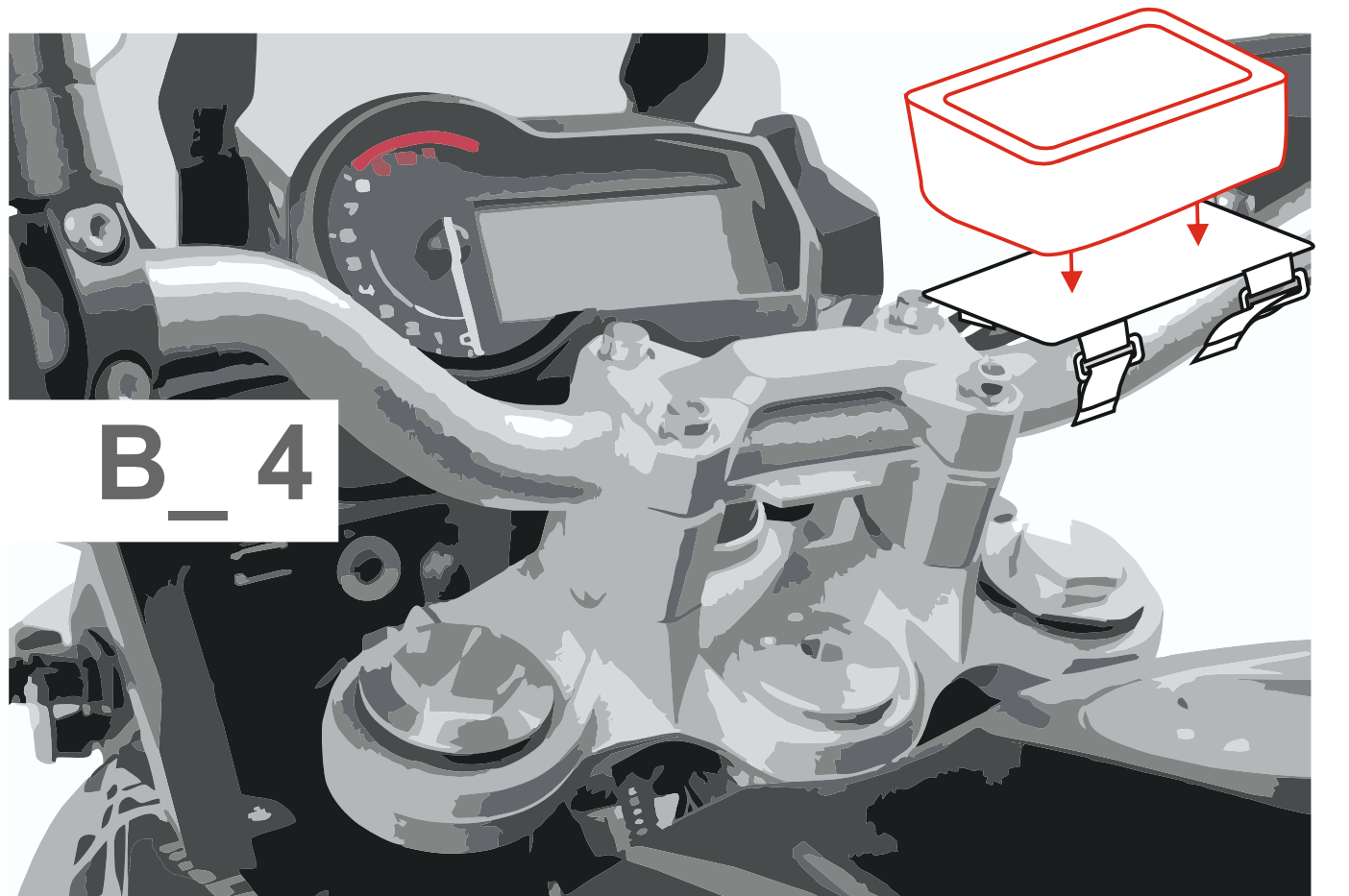
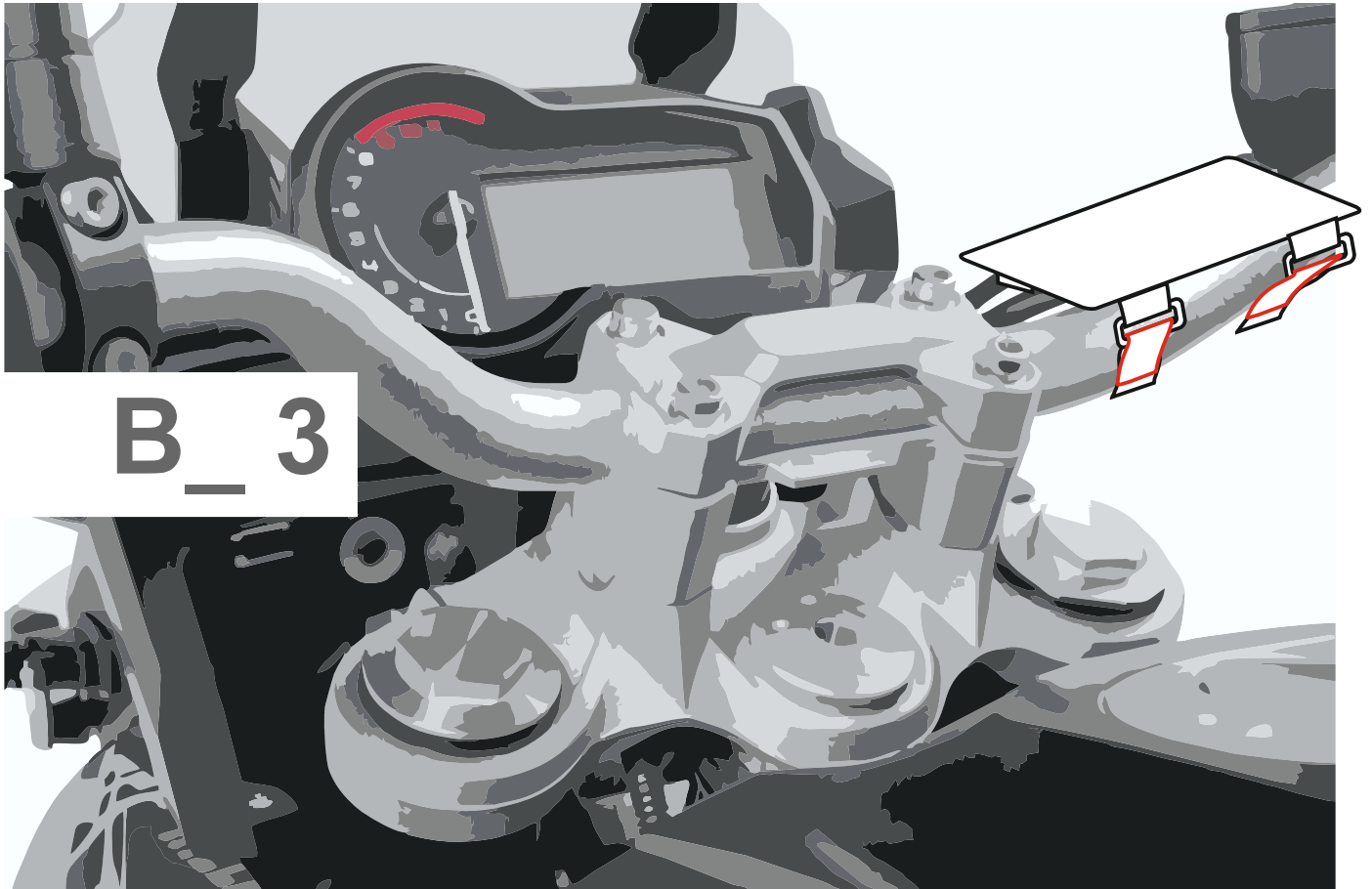


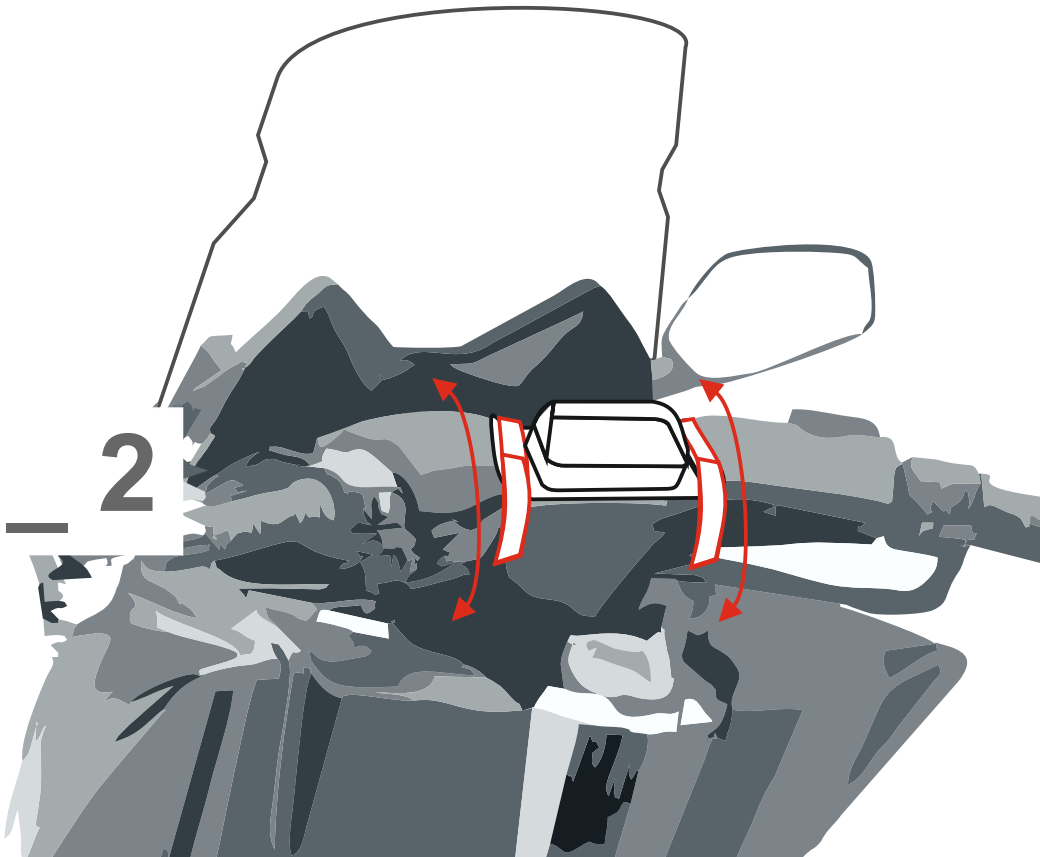
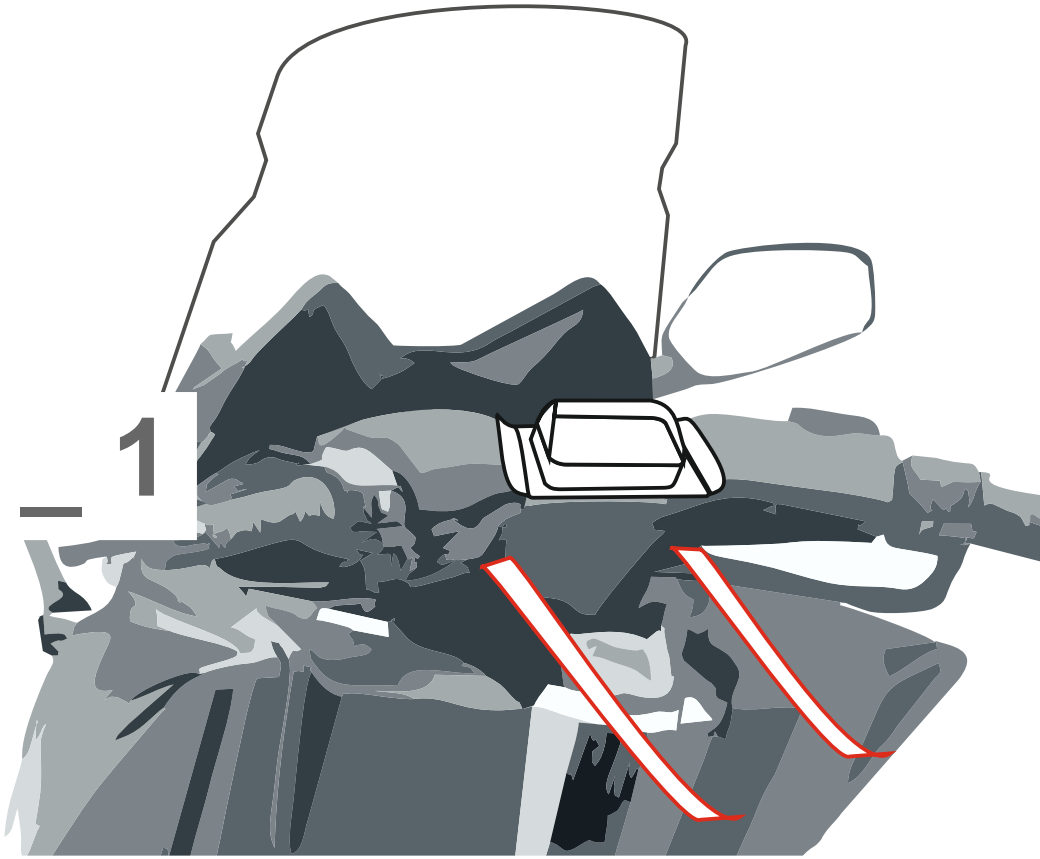
A\_4

OPTION \_ B

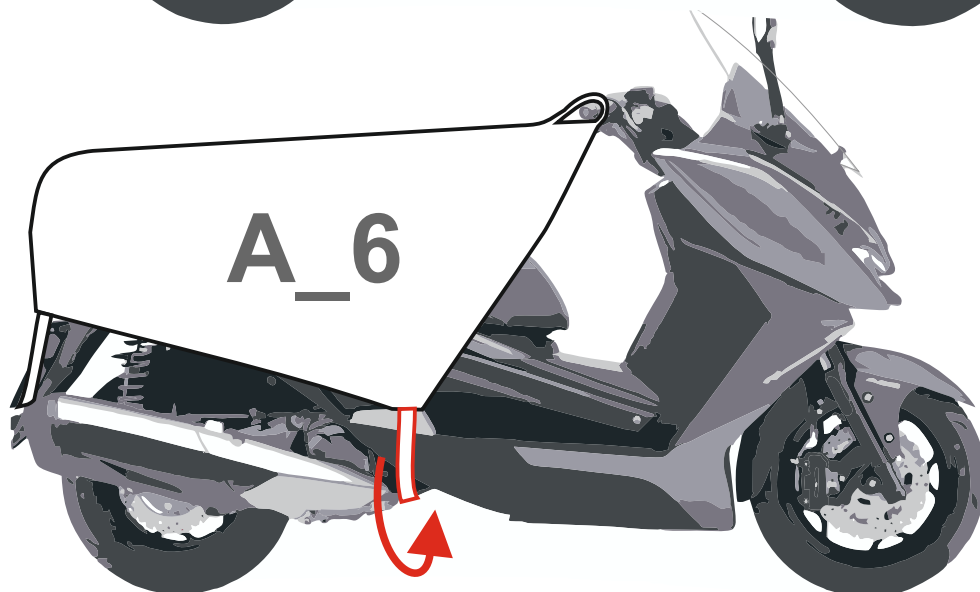
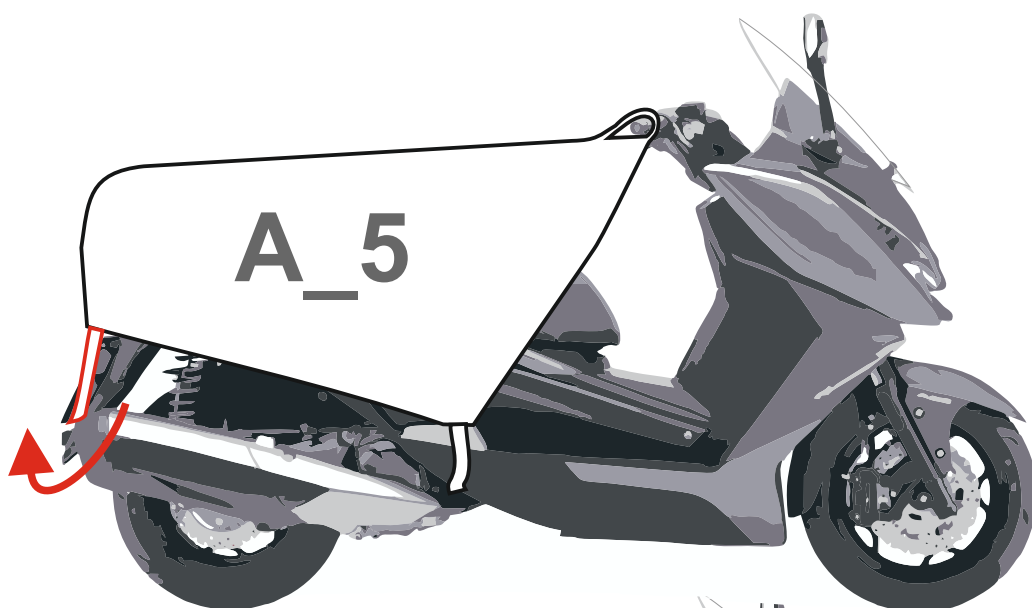
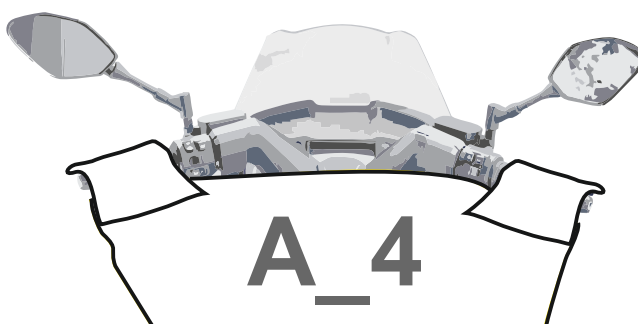
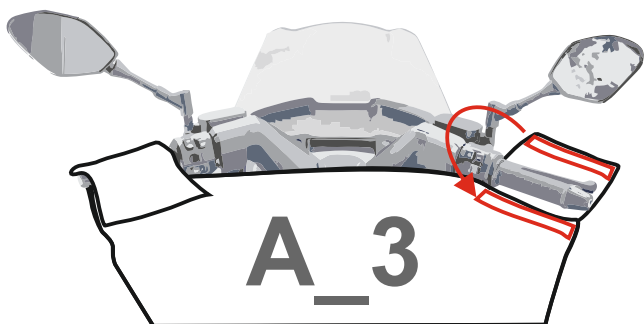
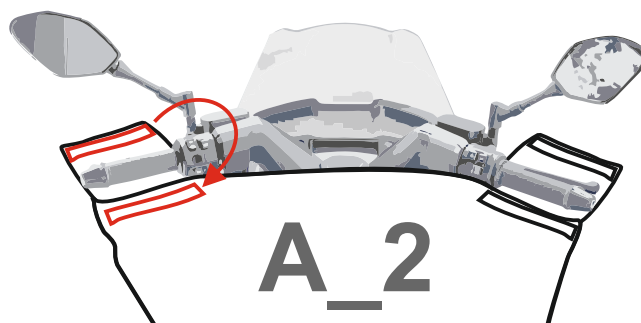
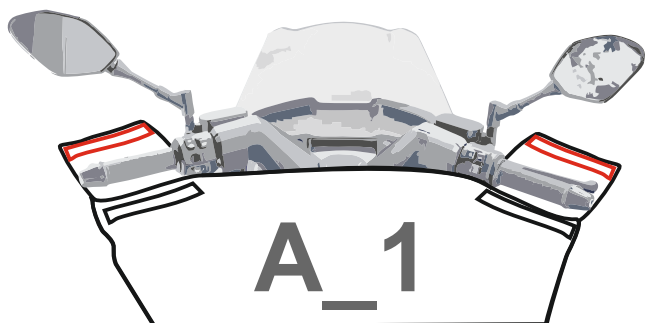


OPTION \_ B

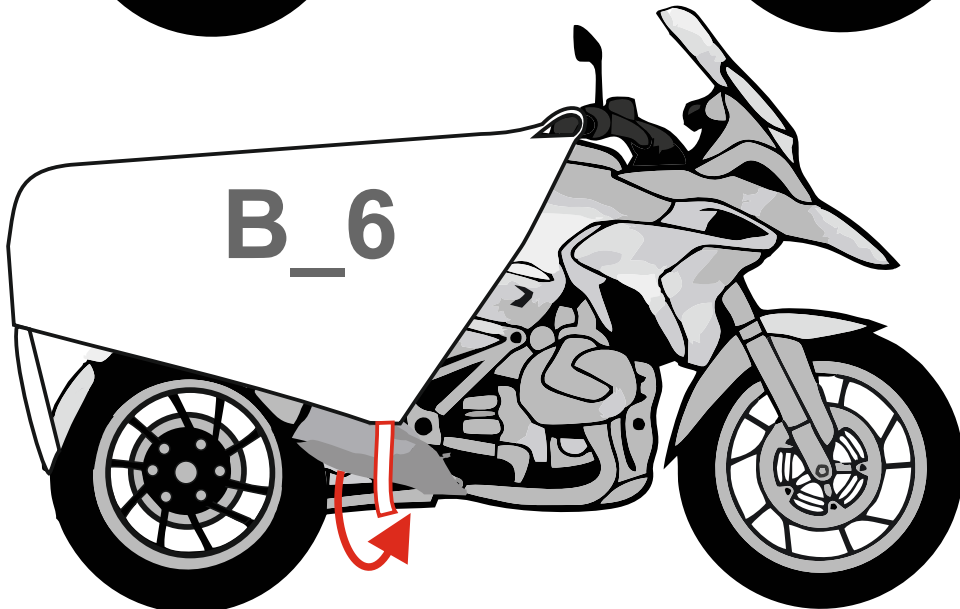
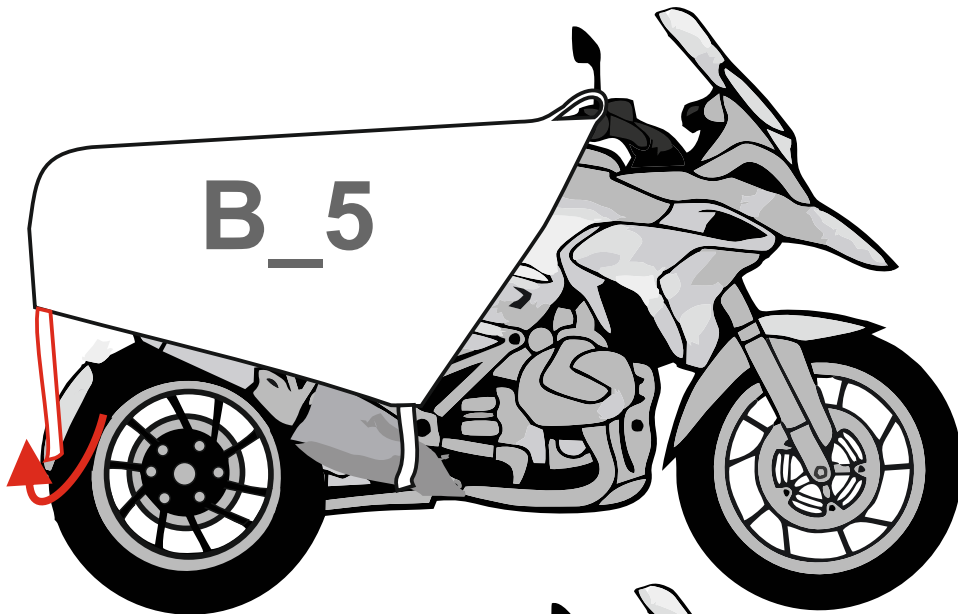
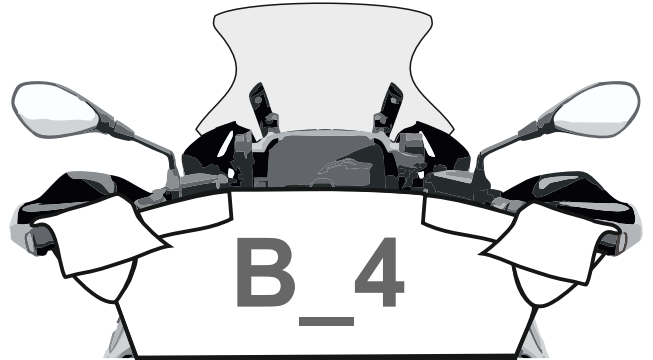
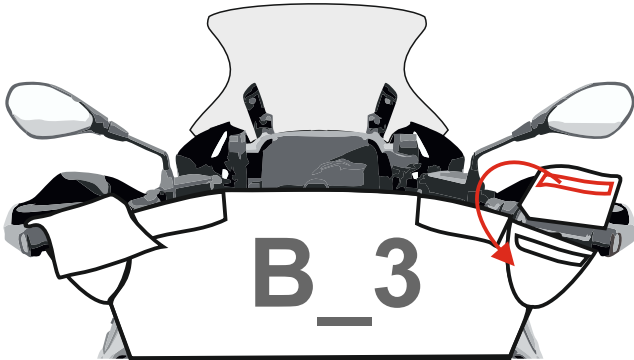
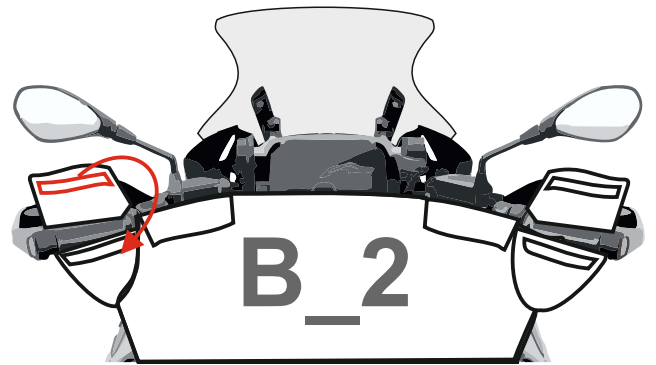
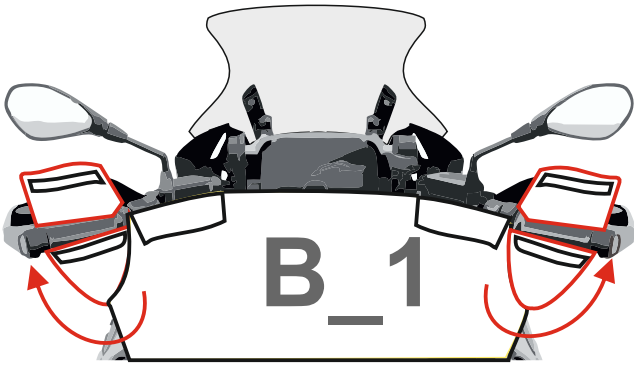


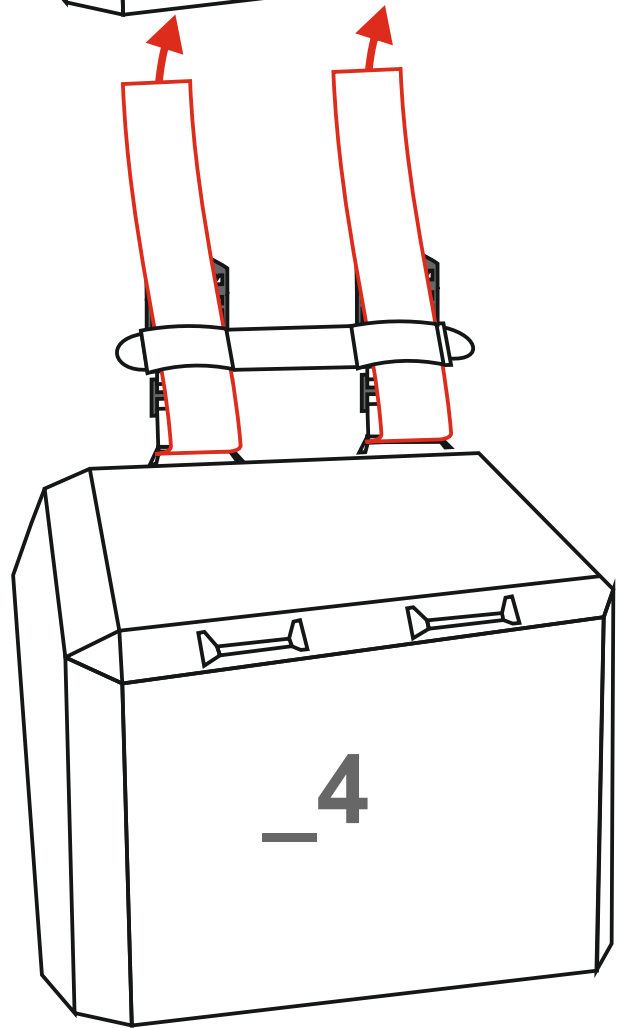
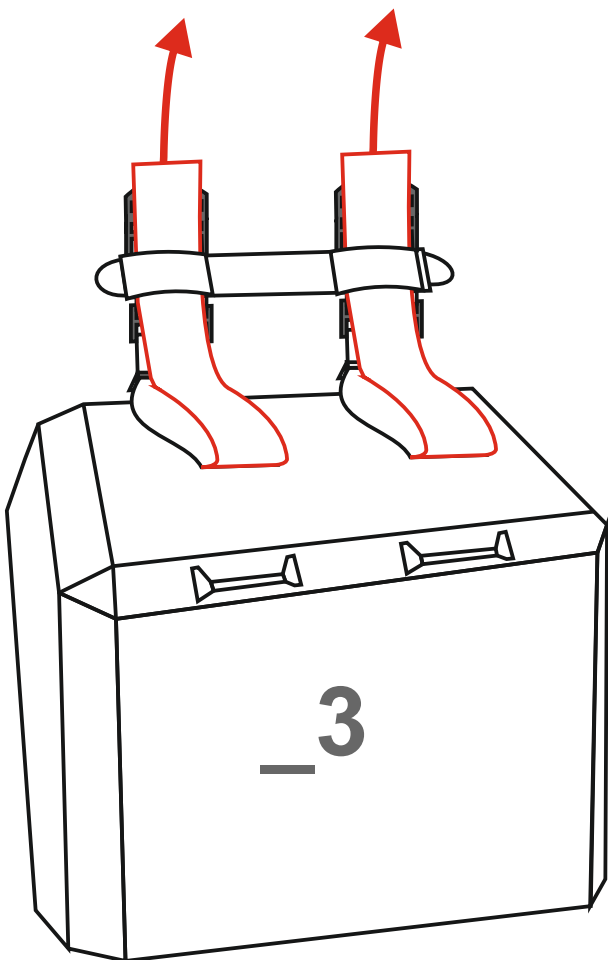
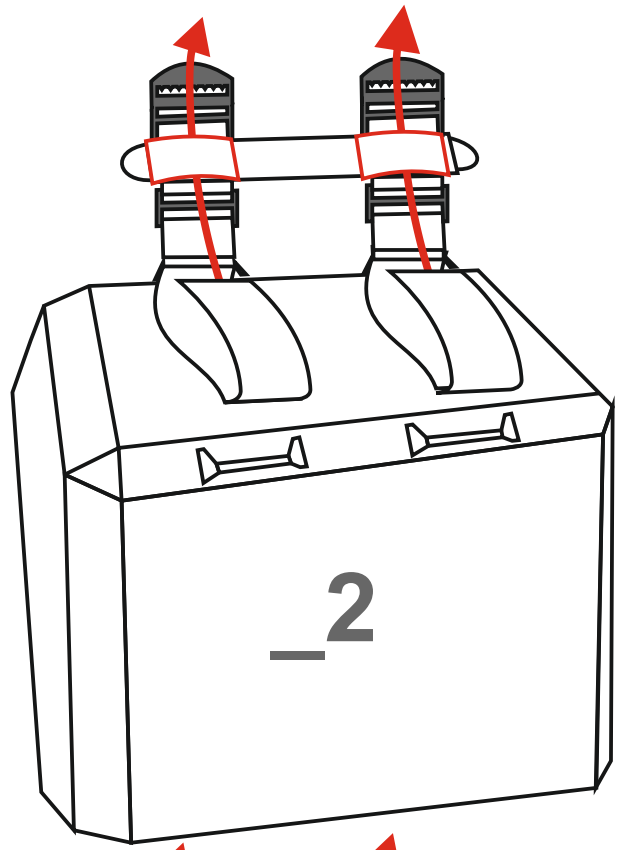
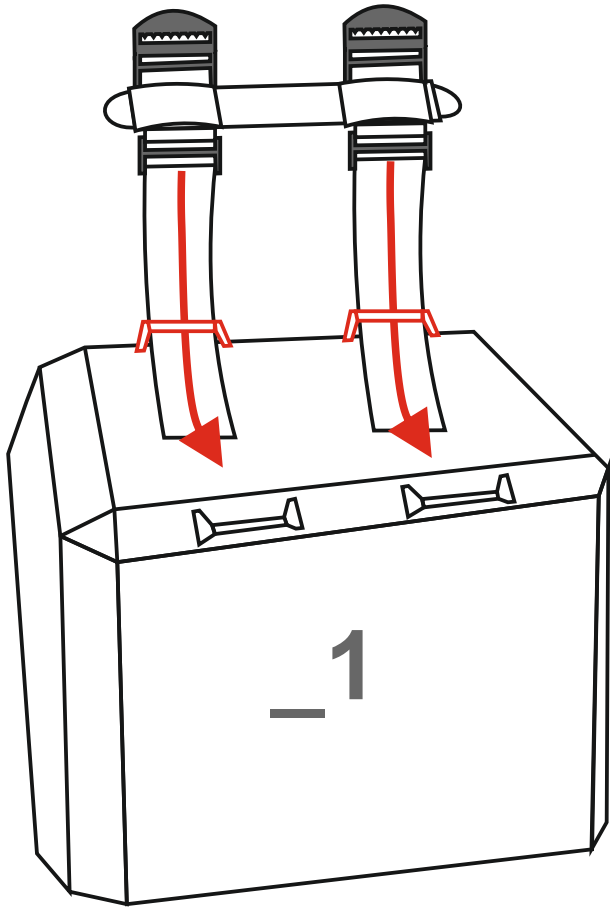


OPTION \_ A

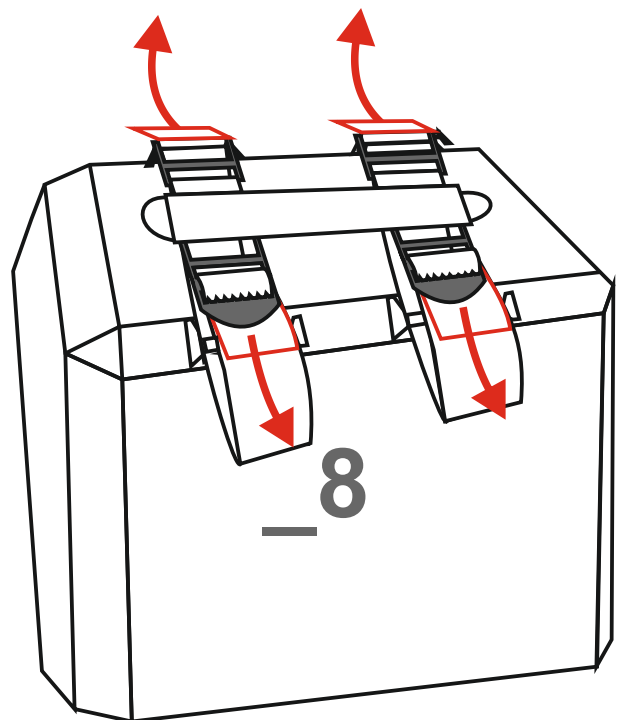
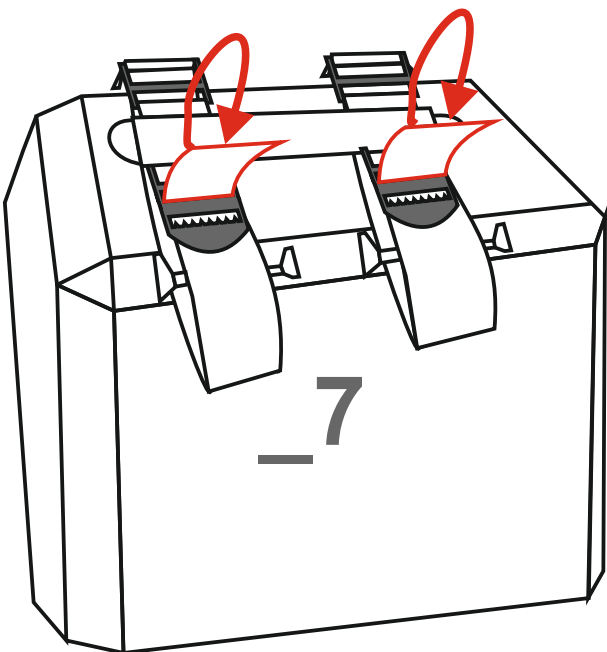
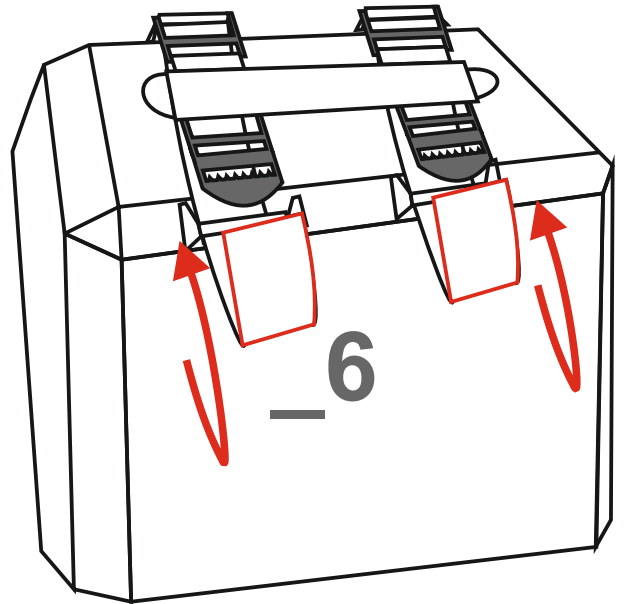
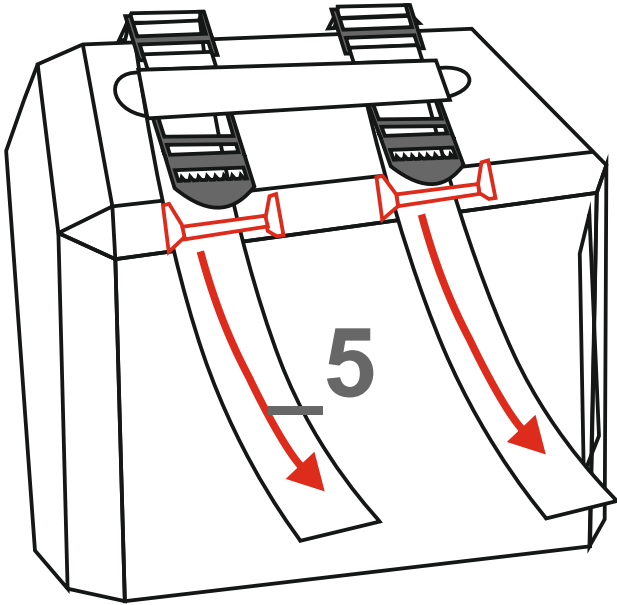


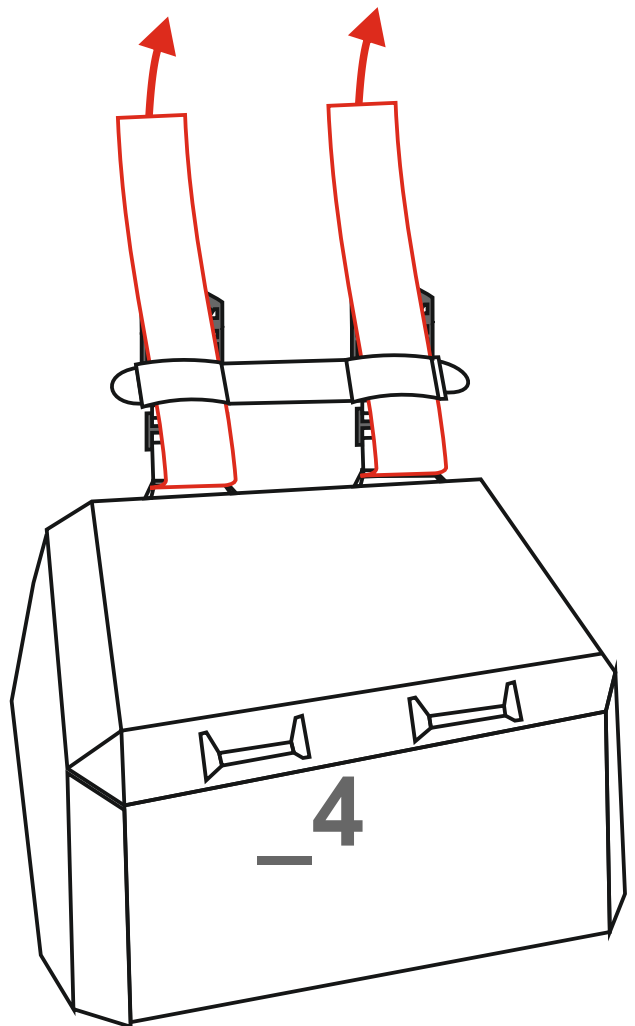
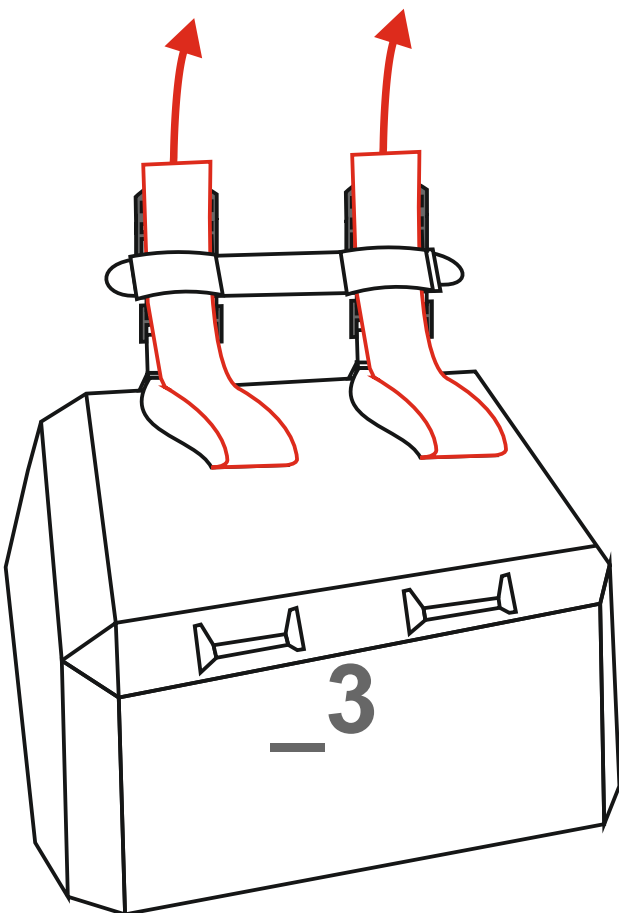
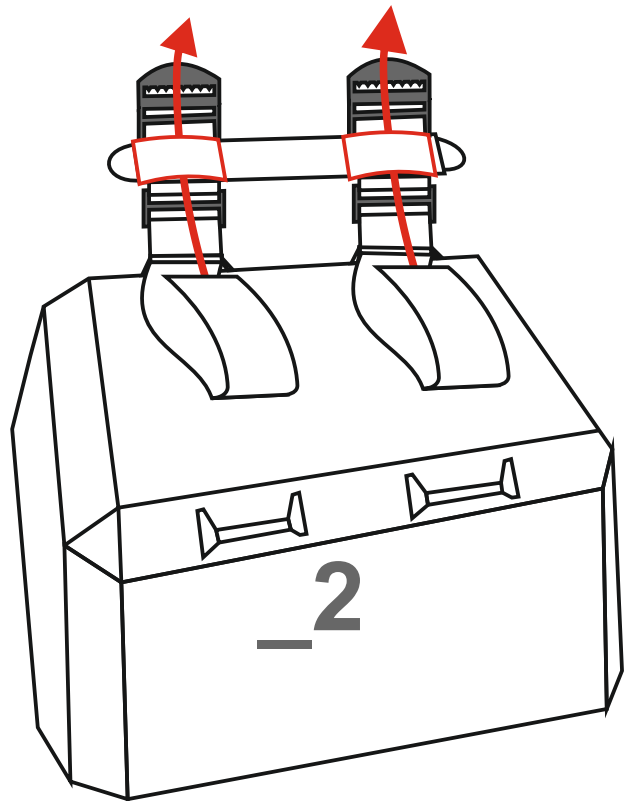
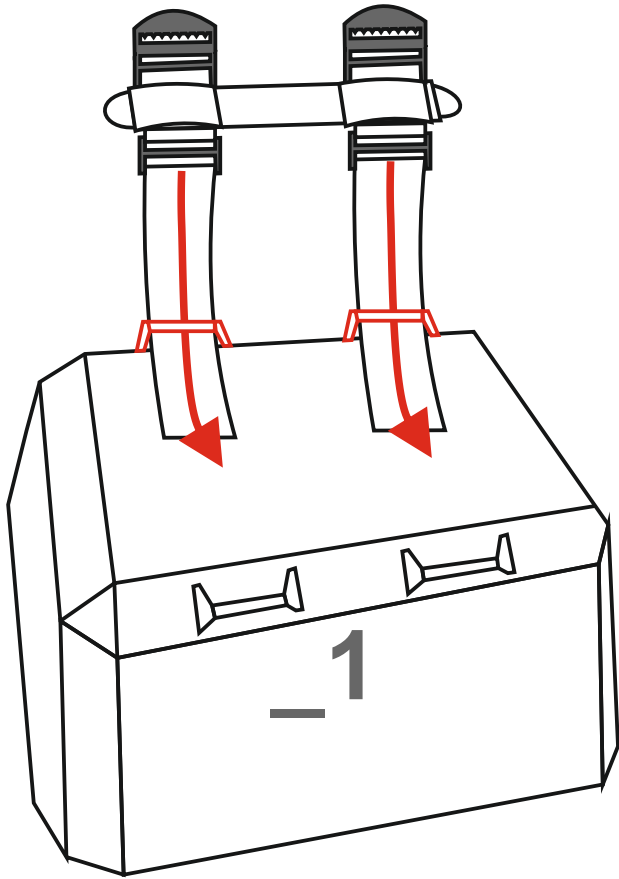
OPTION \_ B

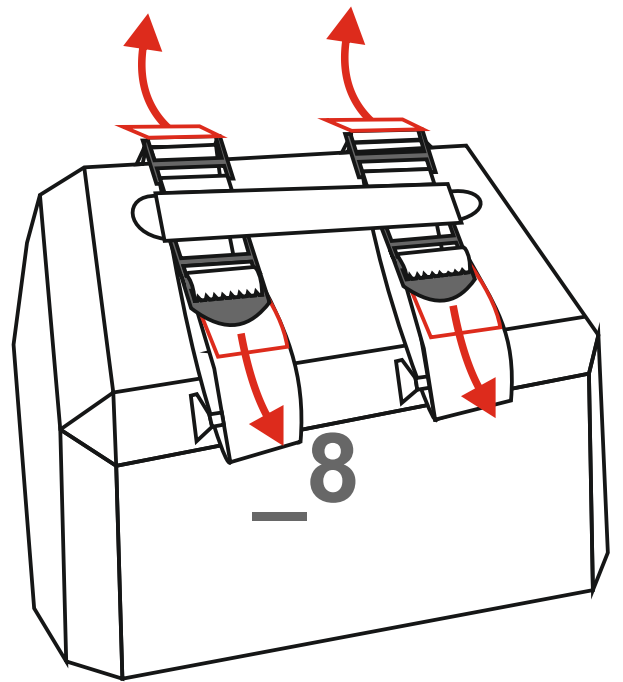
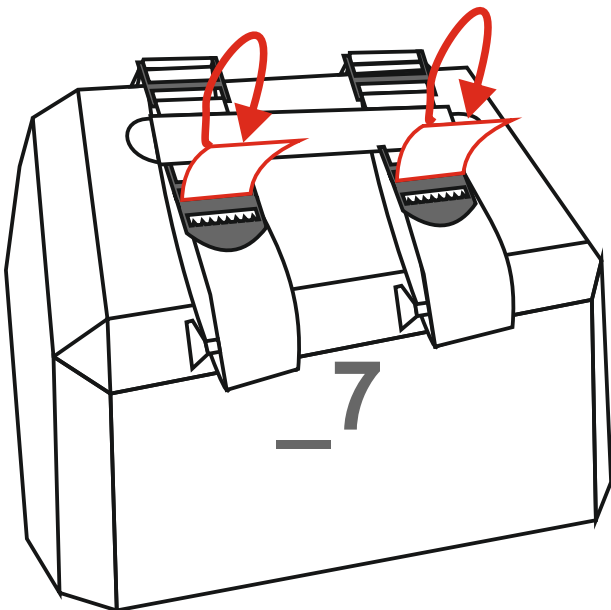
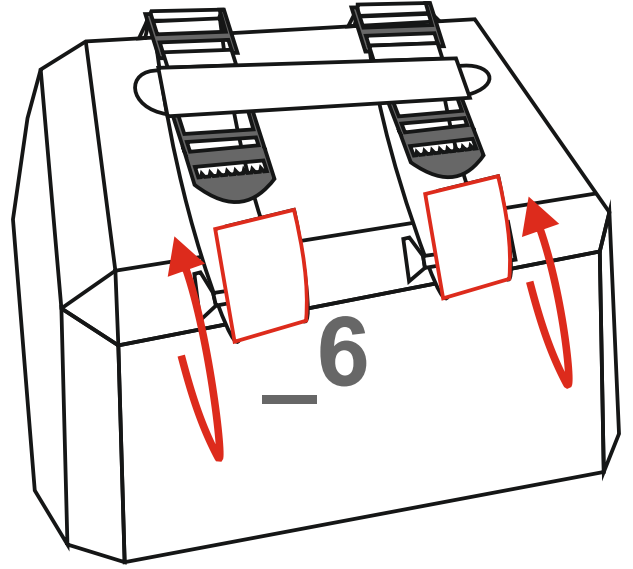
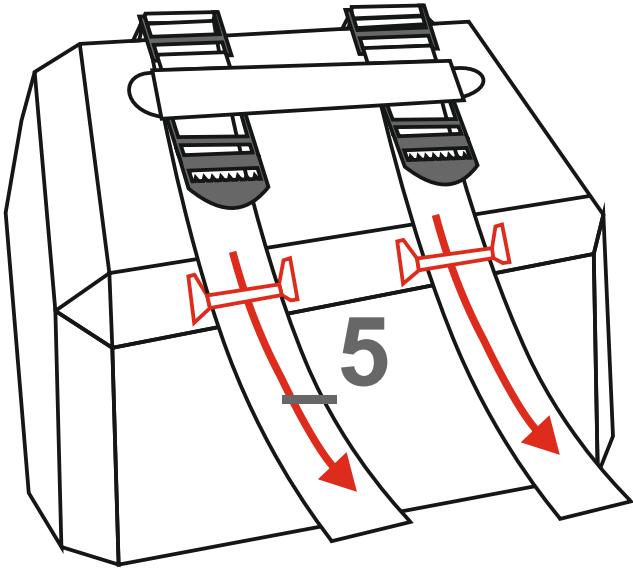


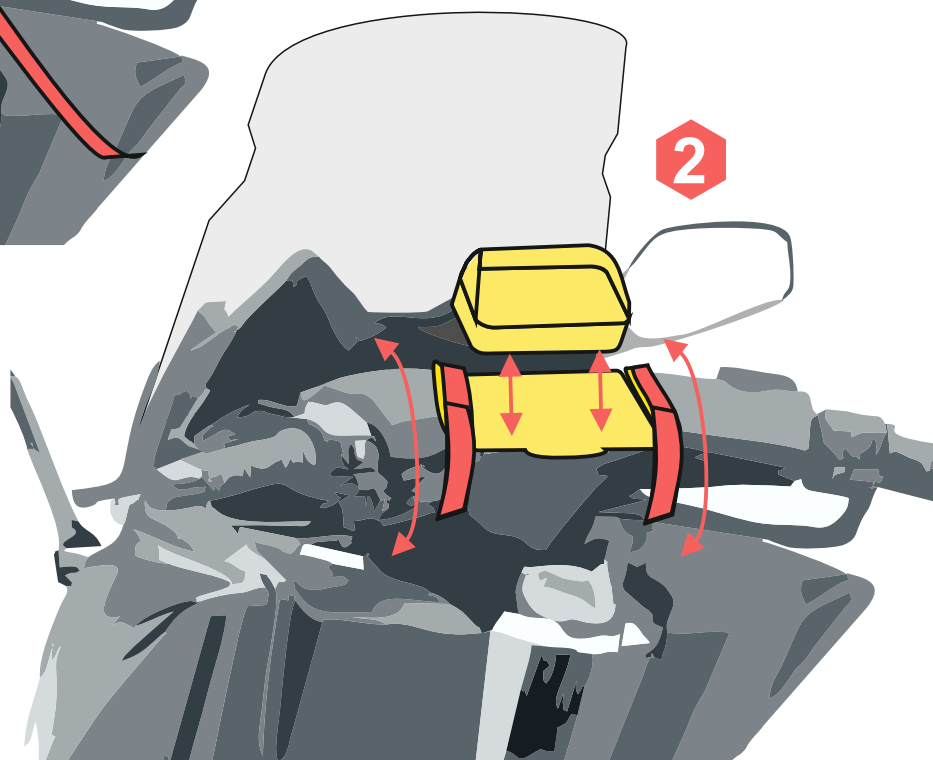
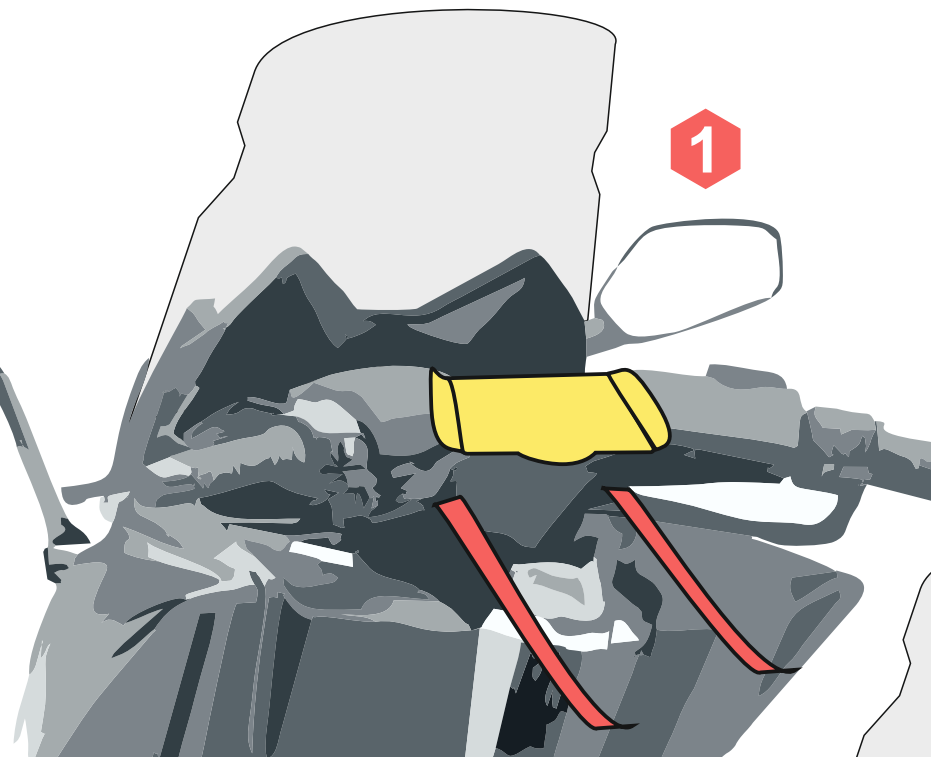










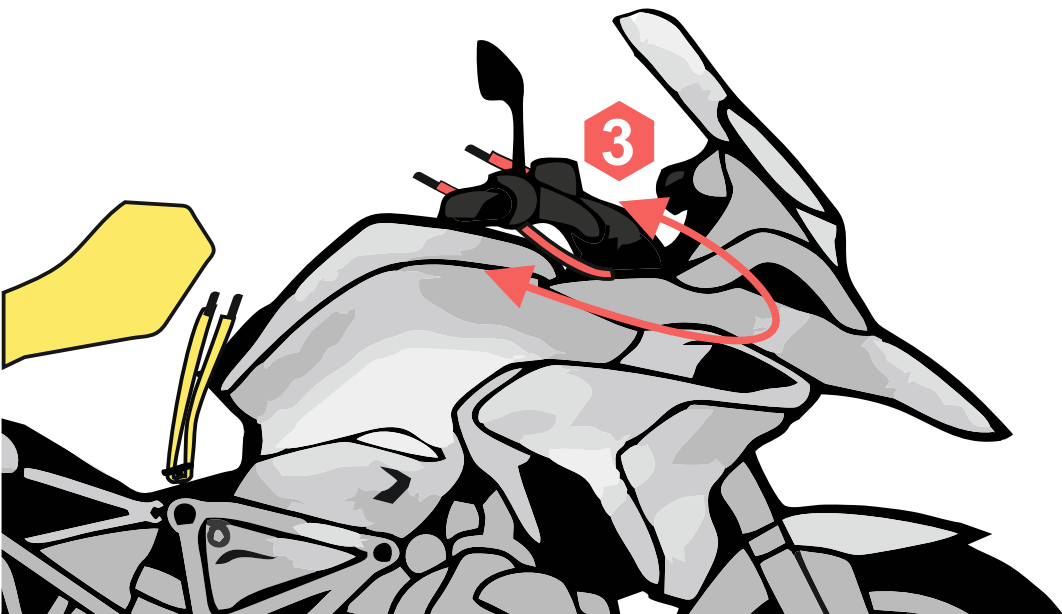
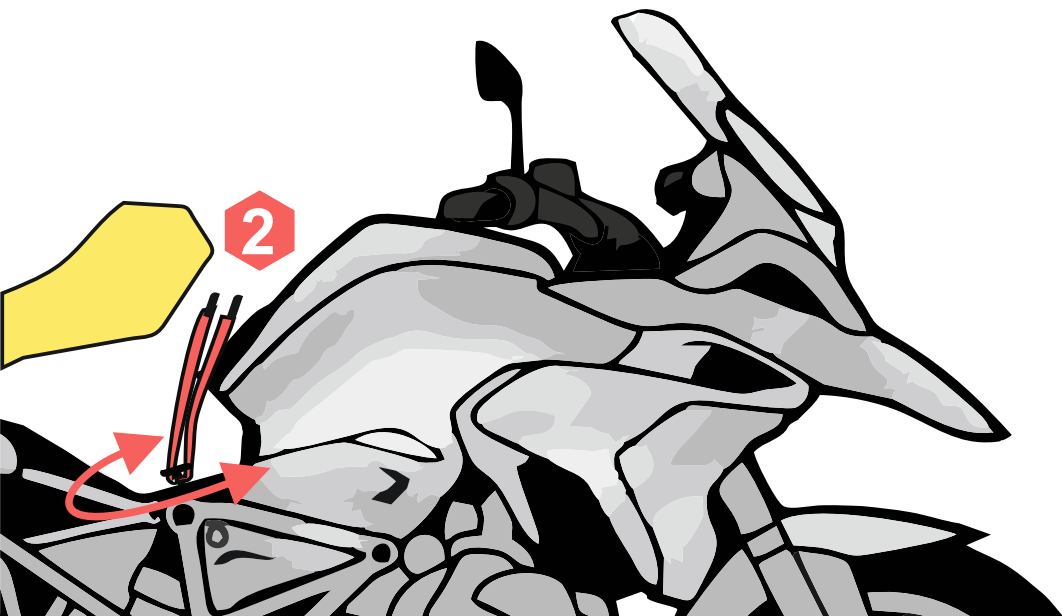
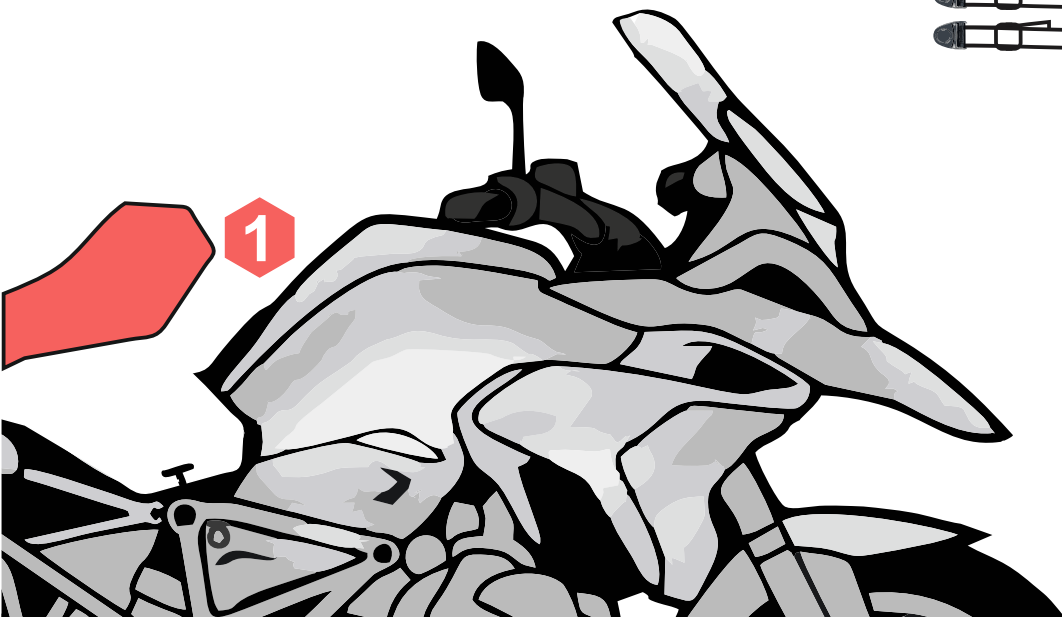


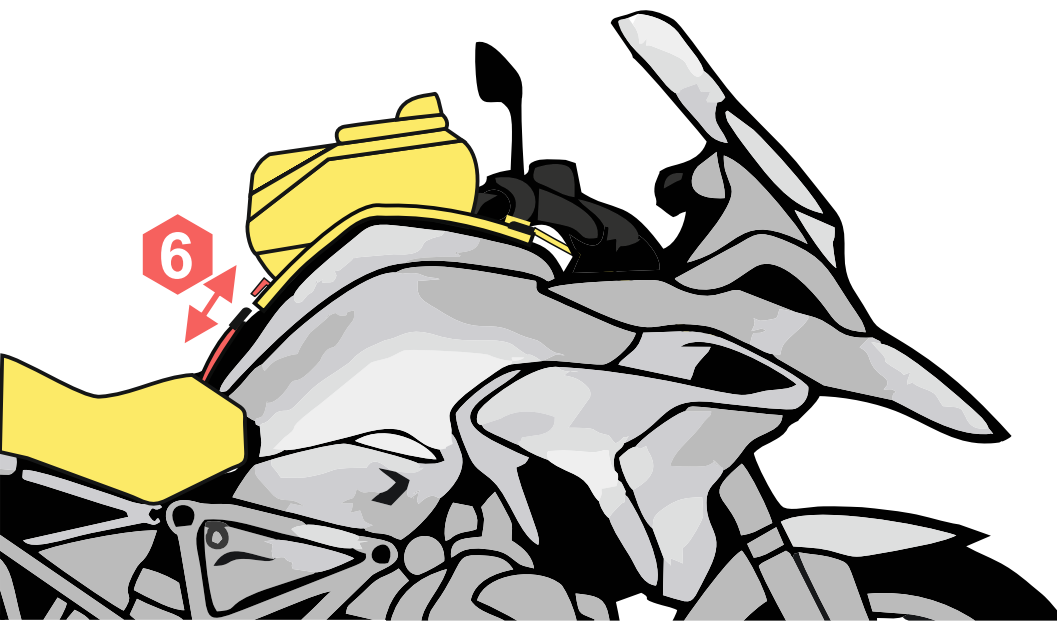
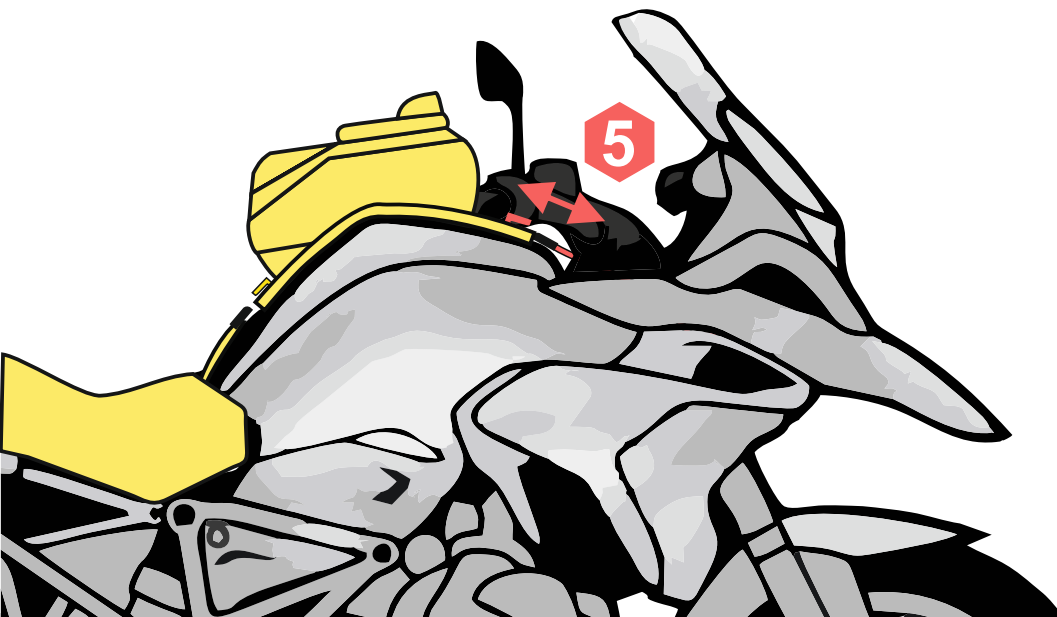
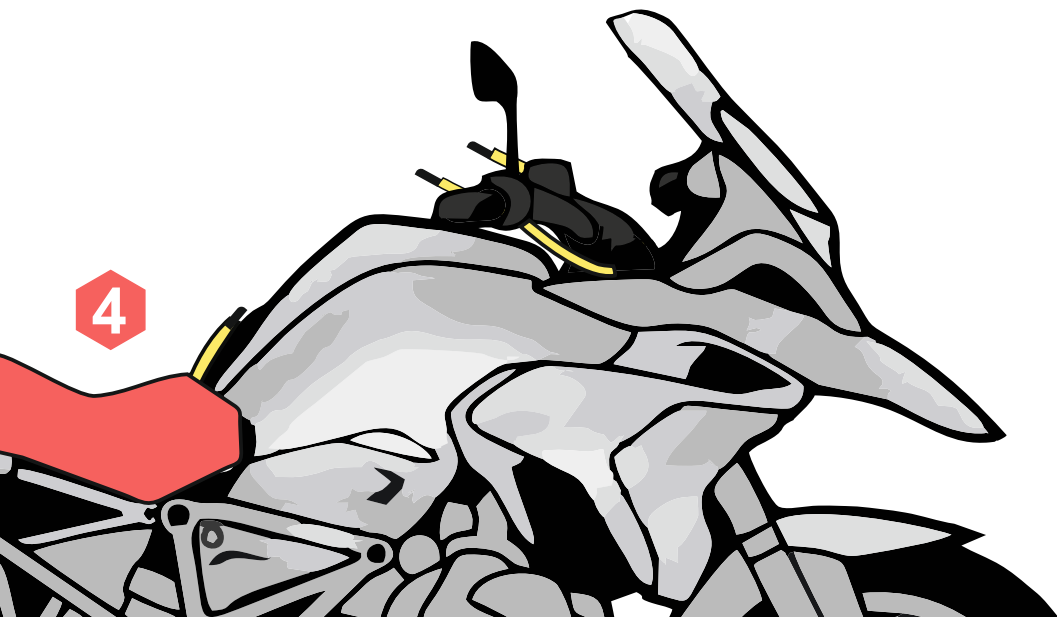


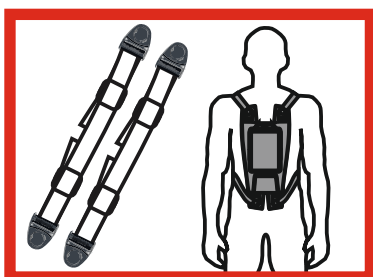
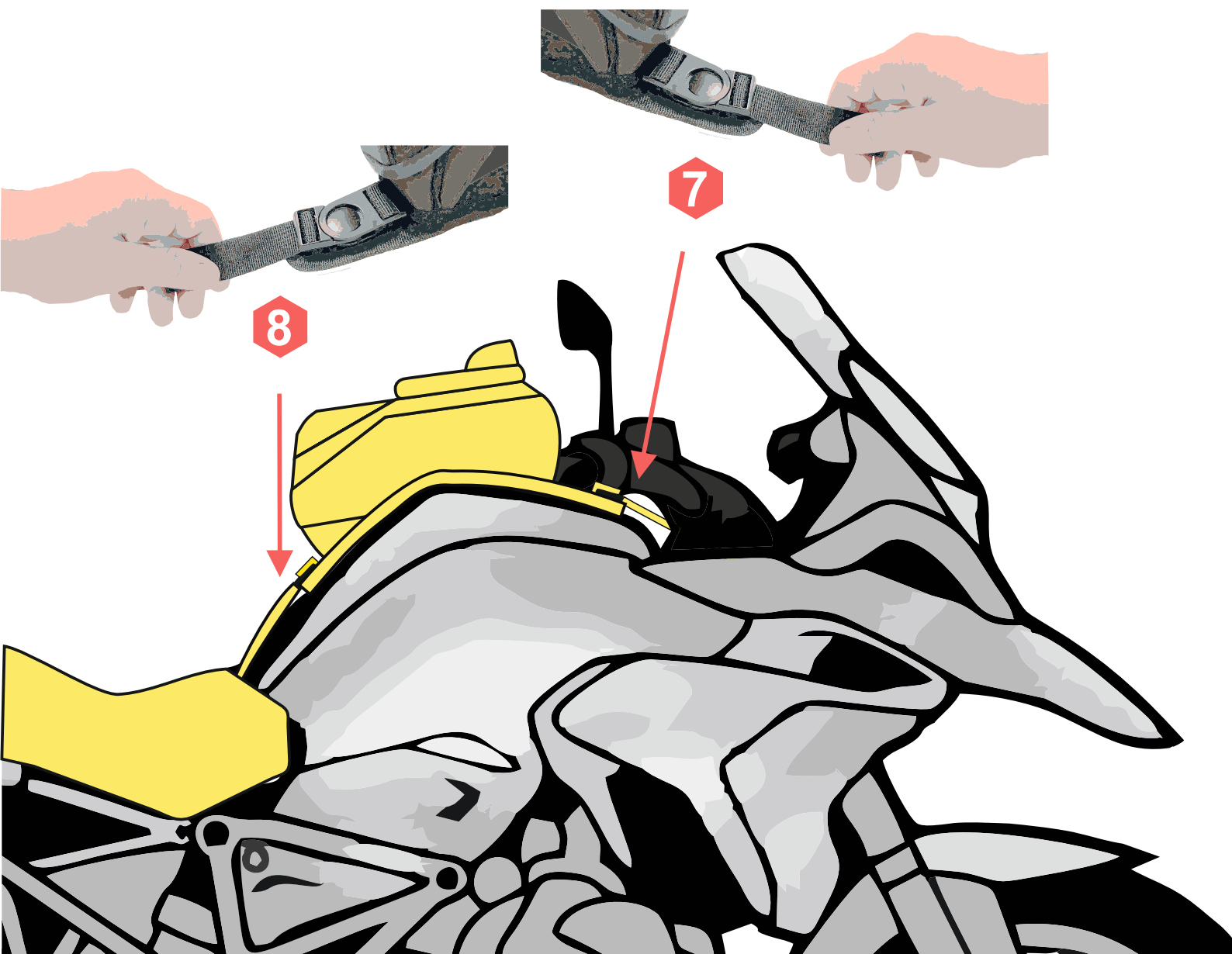
SHARP  
M166



OPTION A





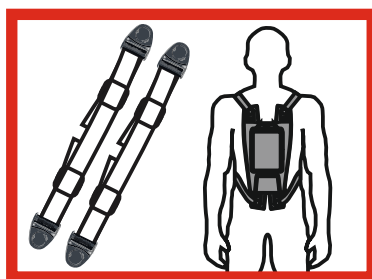
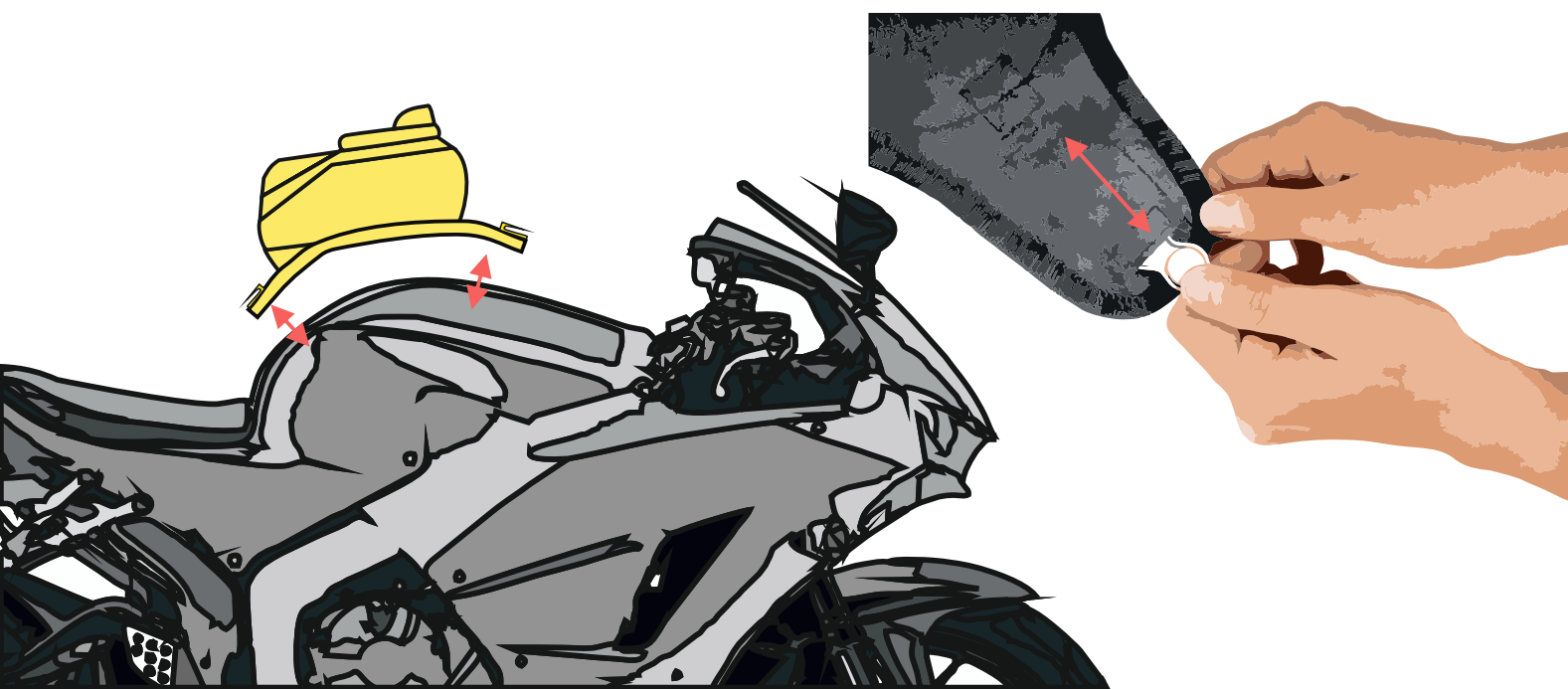
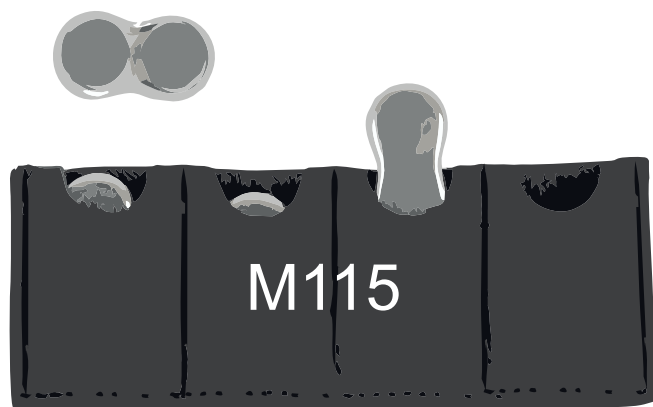




SHARP  
M166

KIT MAGNETS IF METAL TANK

OPTION B



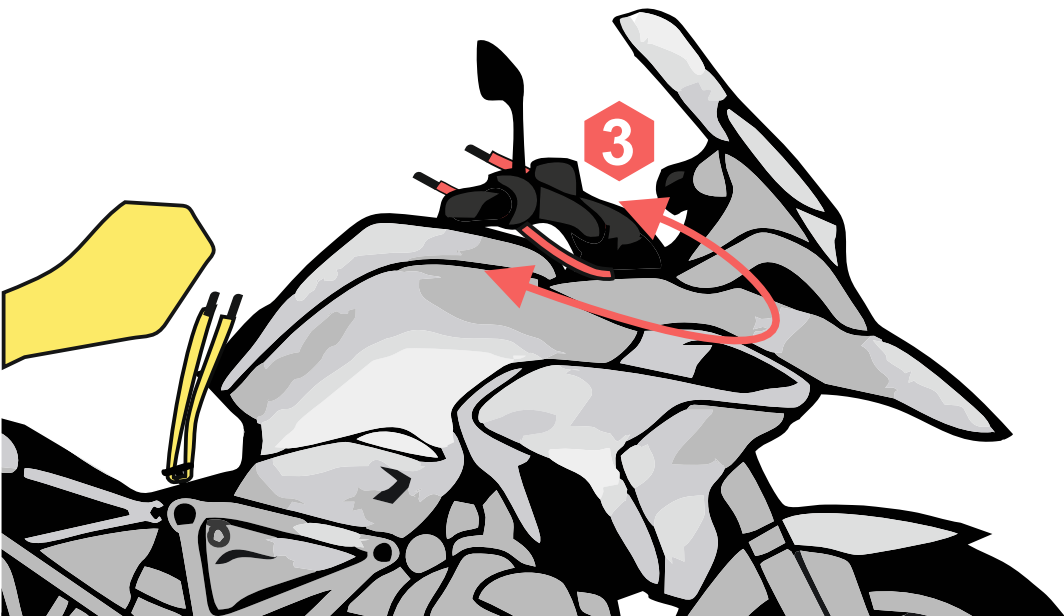
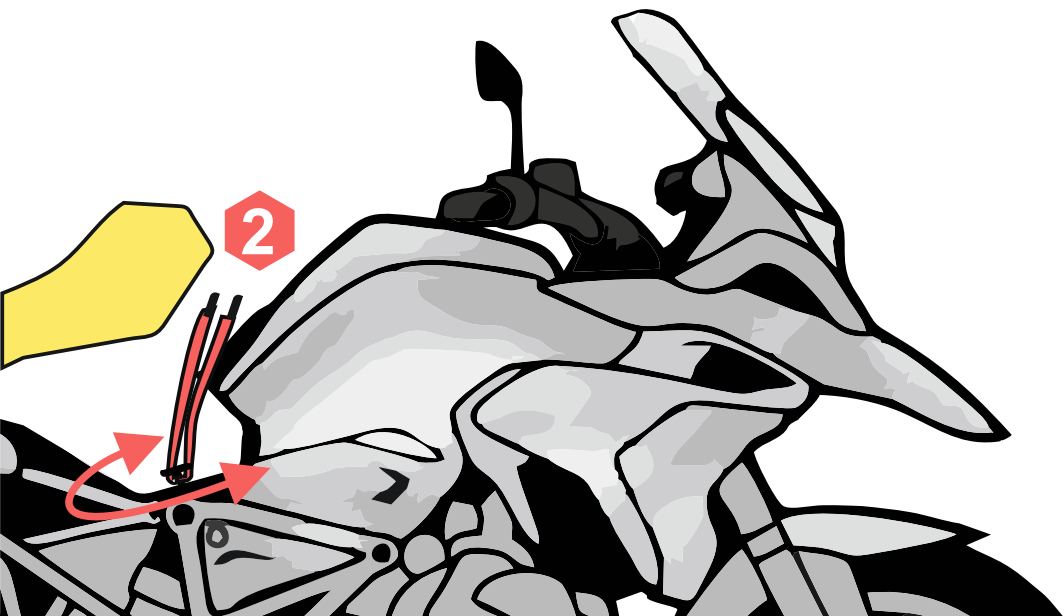
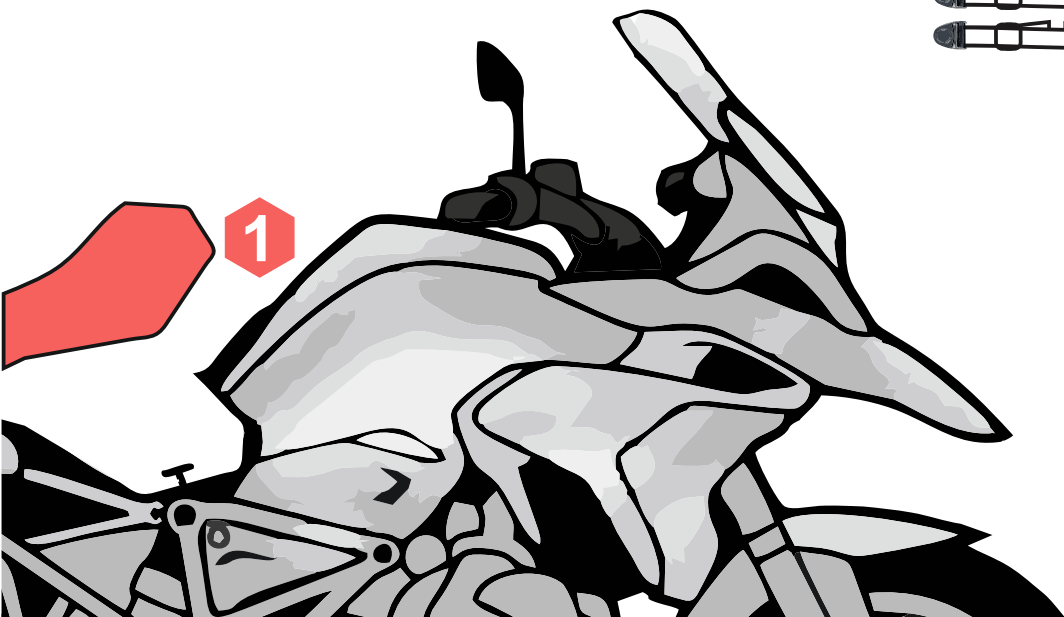


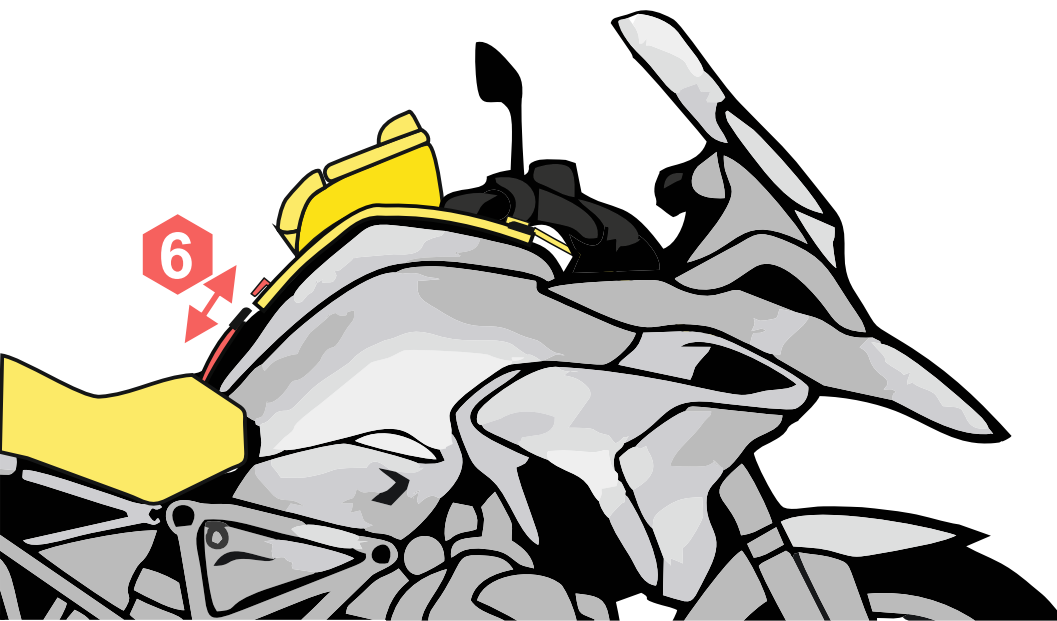
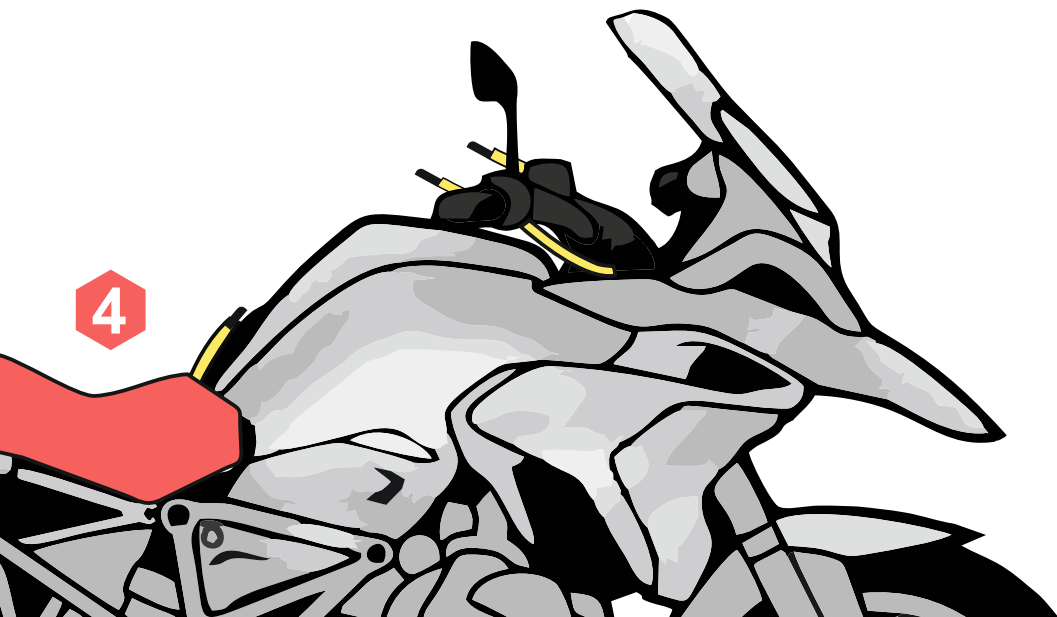


ROOKIE  
M167



OPTION A



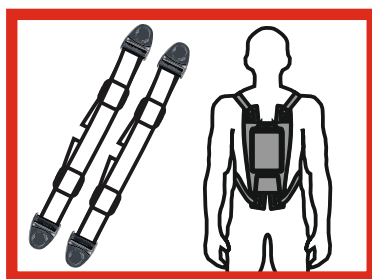
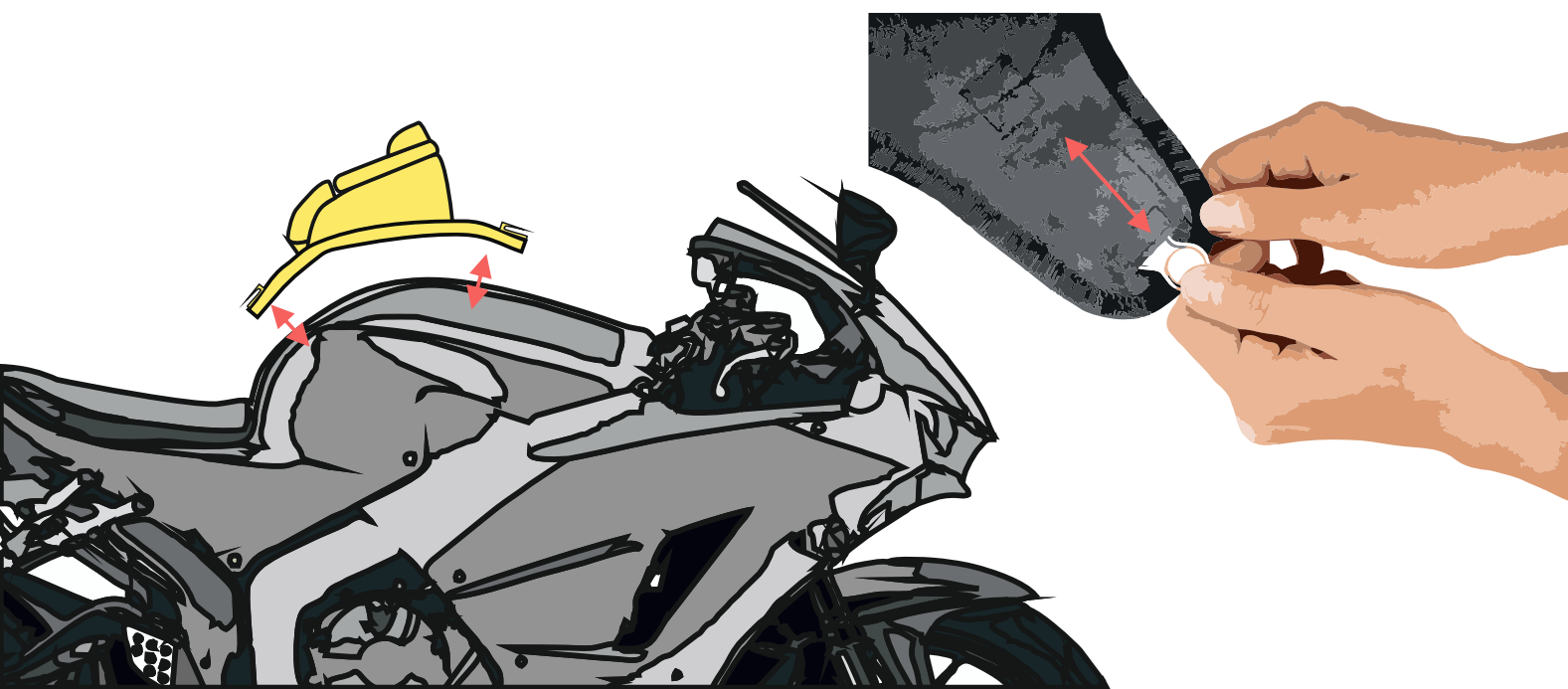
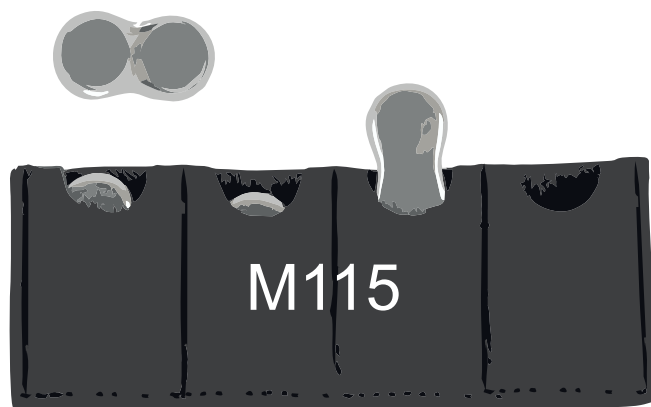


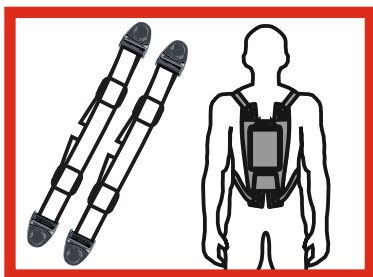
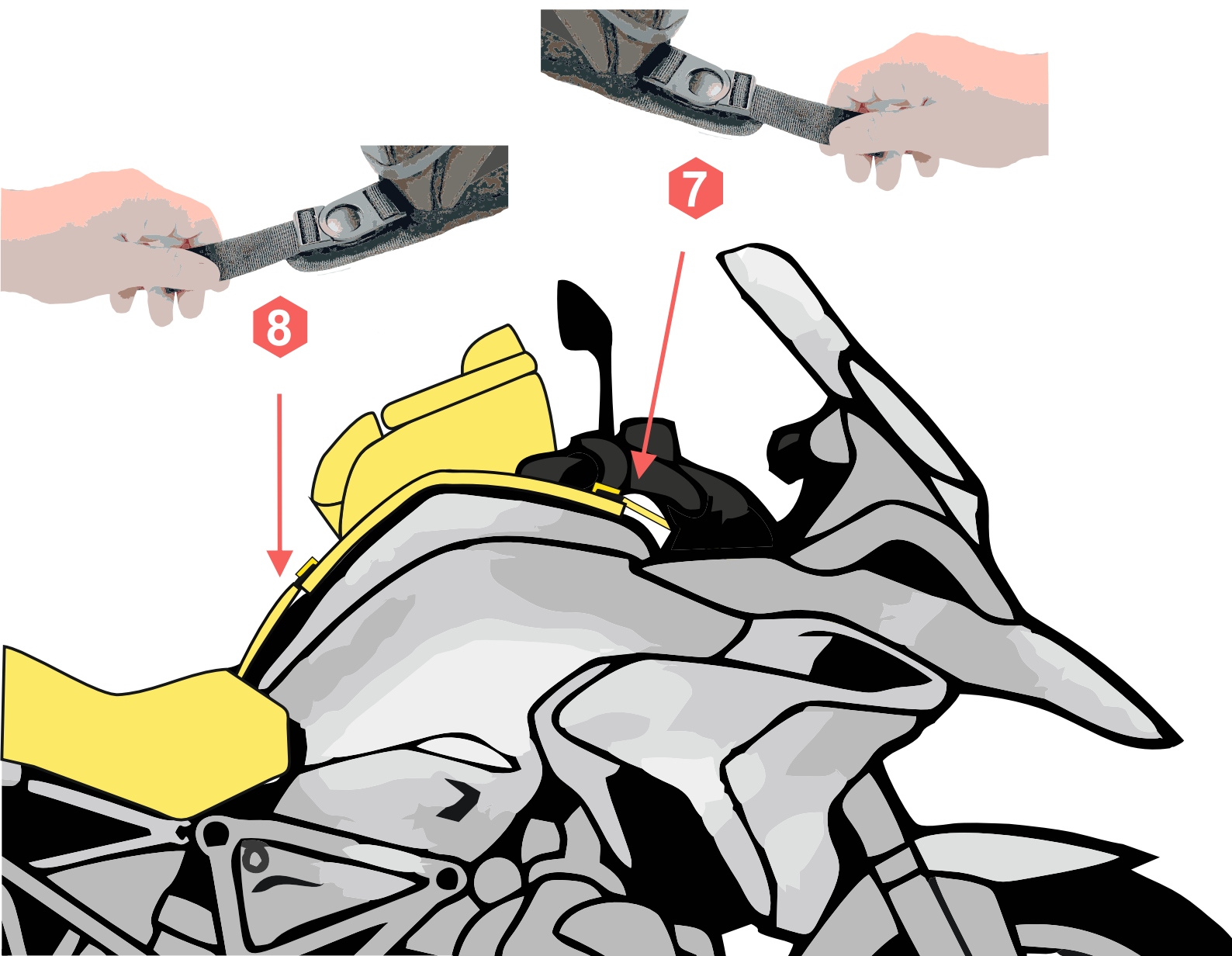


ROOKIE  
M167

KIT MAGNETS IF METAL TANK

OPTION B

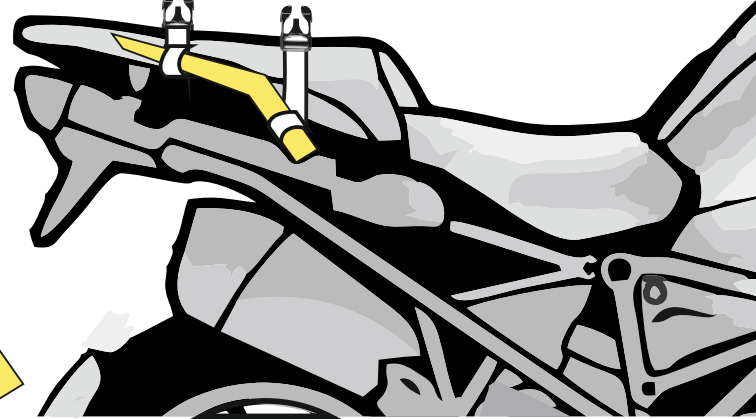
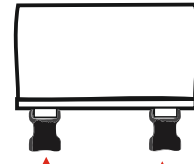
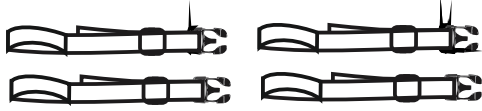




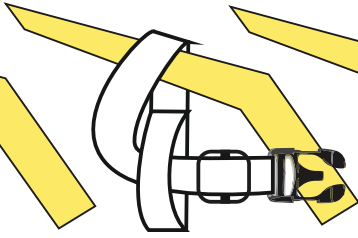


REAR  
M202

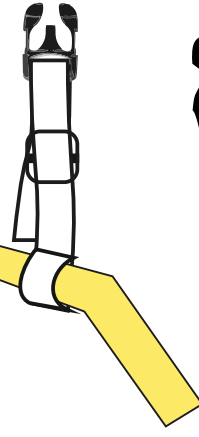
OPTION A



1

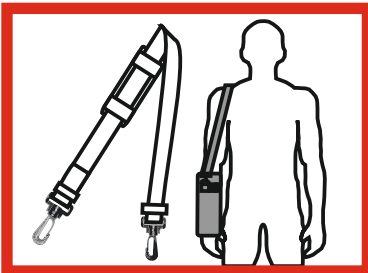
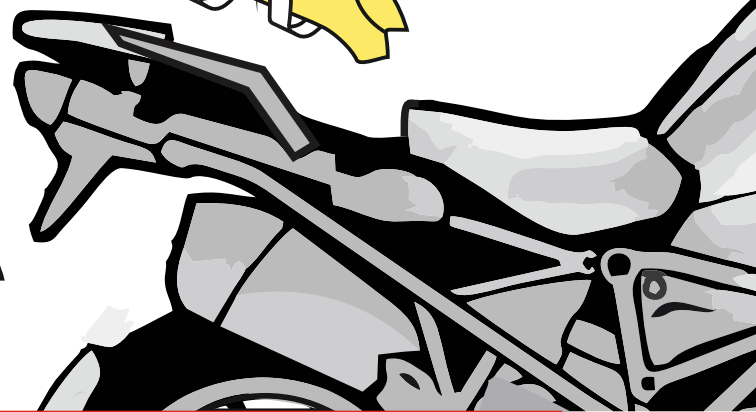
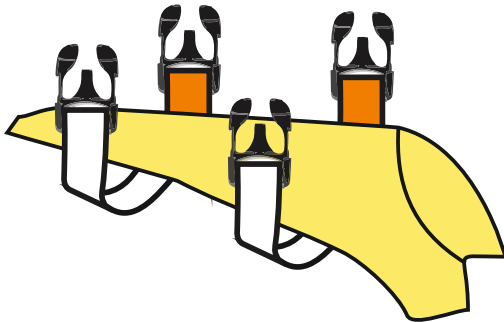
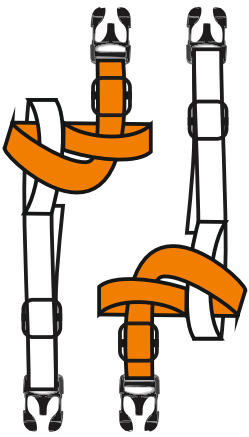
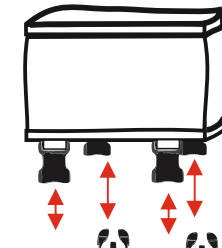
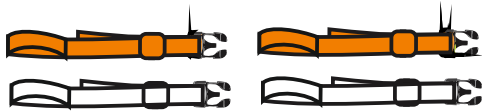


2



3

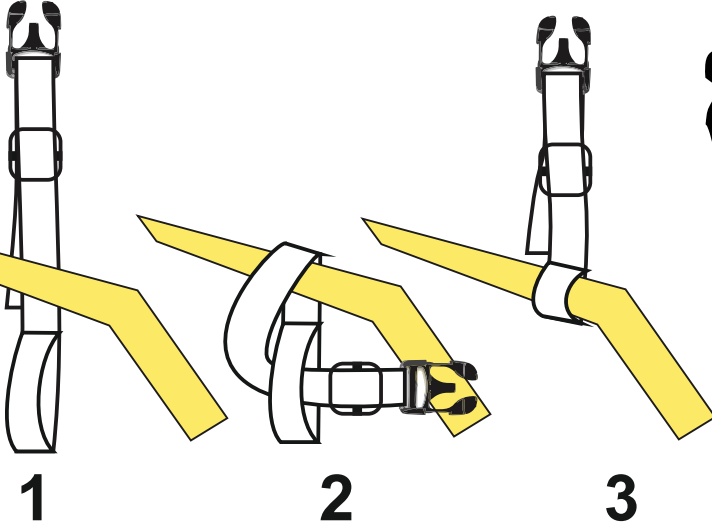
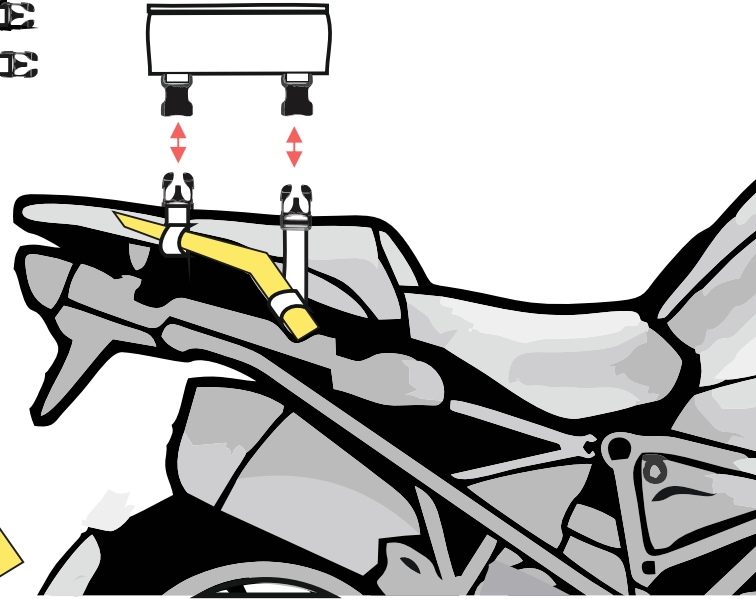
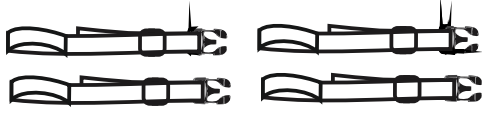
OPTION B





**BOOST  
M27**

**OPTION A**

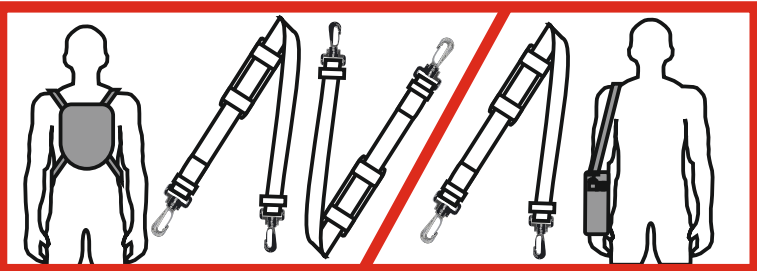
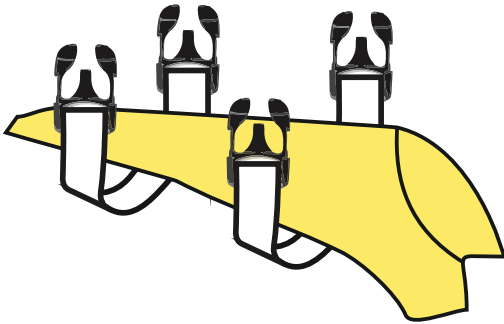
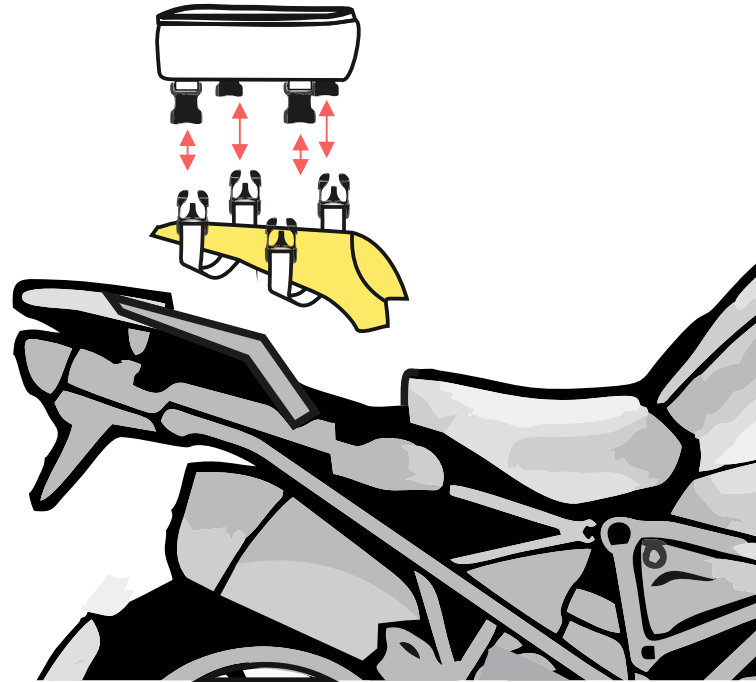


1

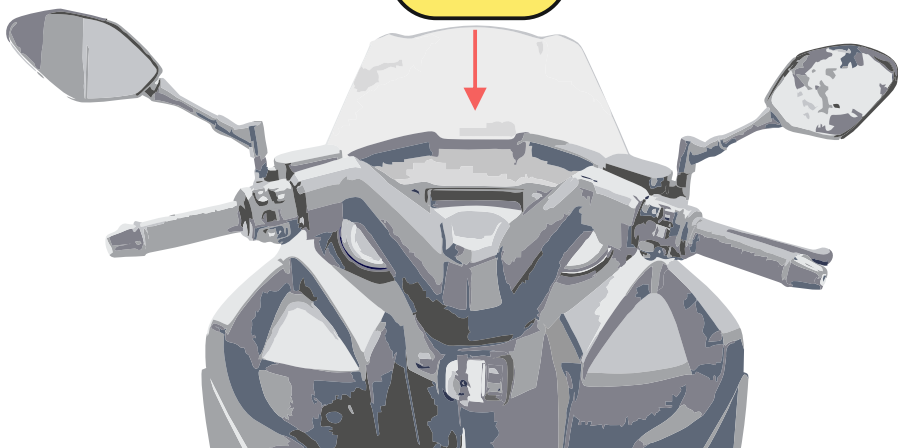
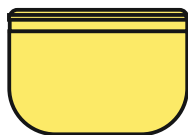
2

3

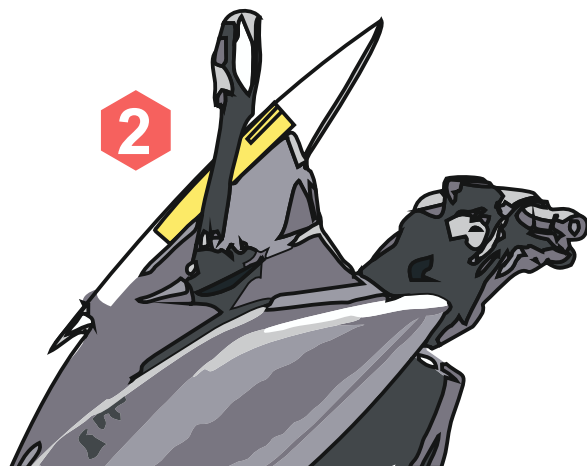
**OPTION B**



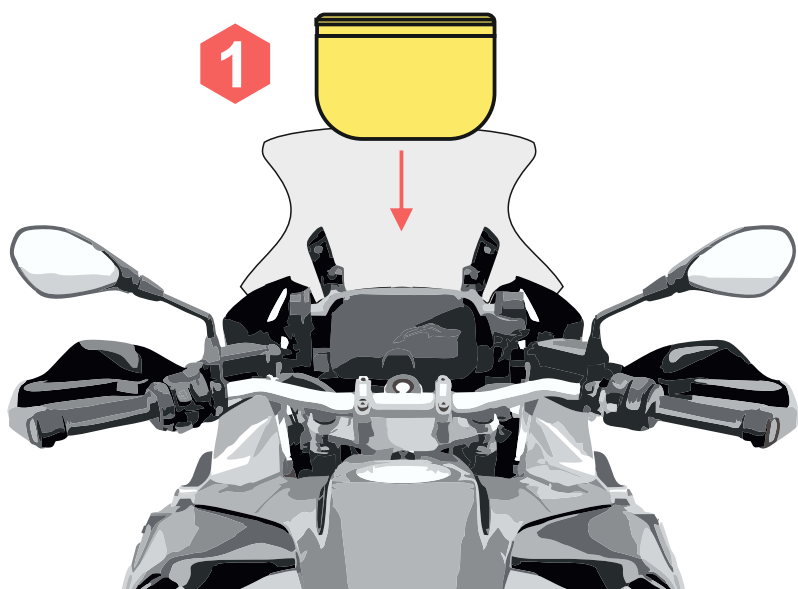
1



2



1



2

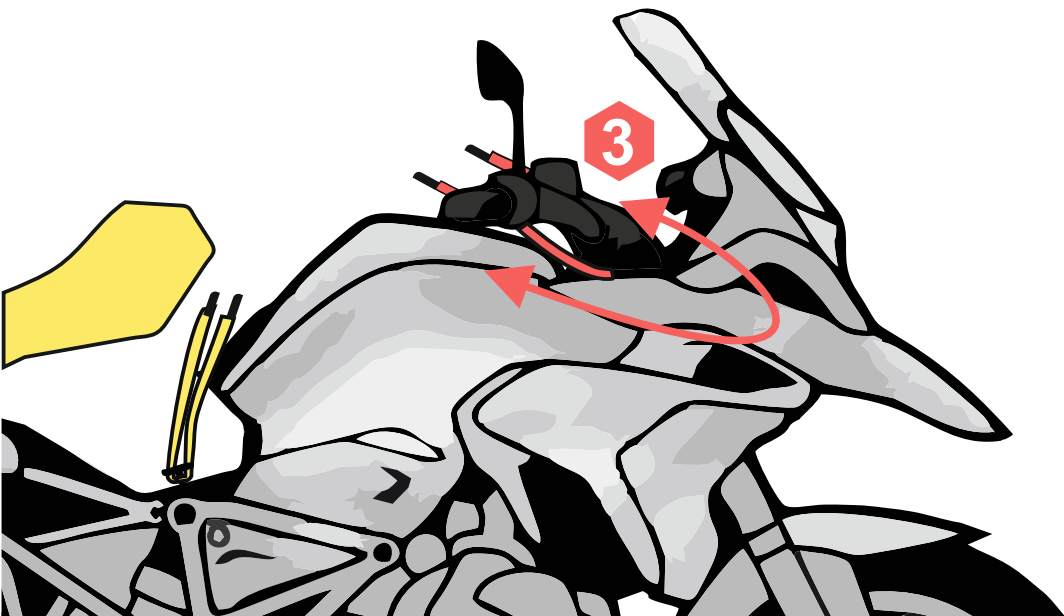
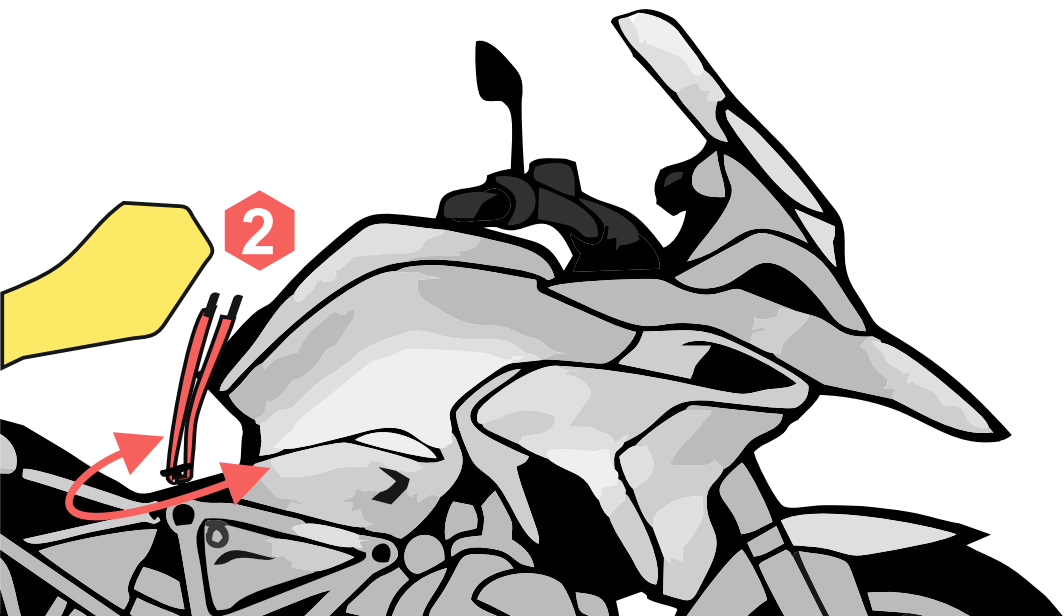
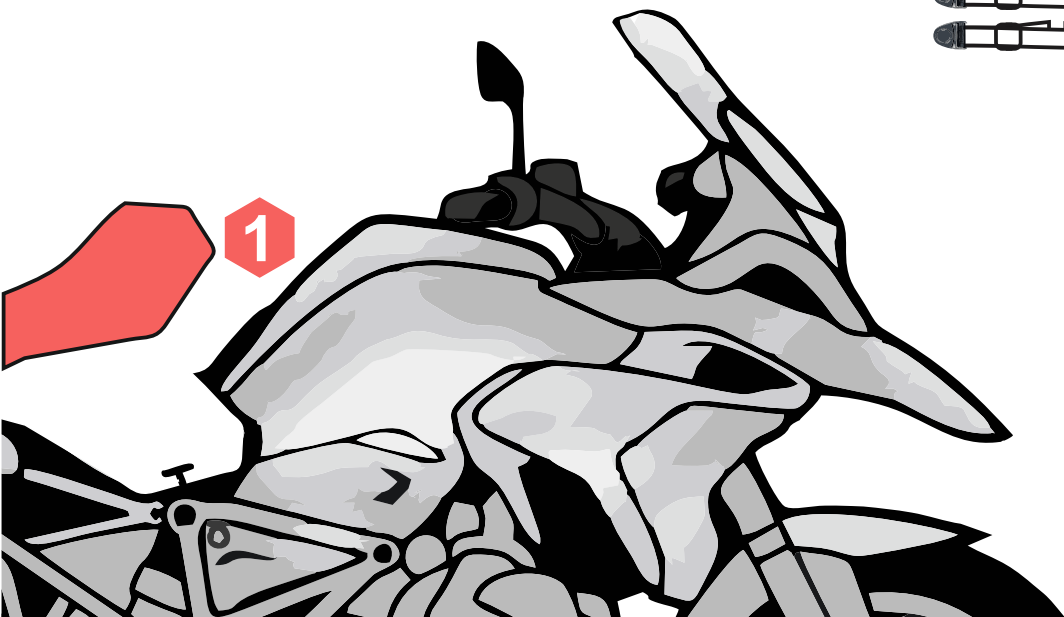


# OJ2

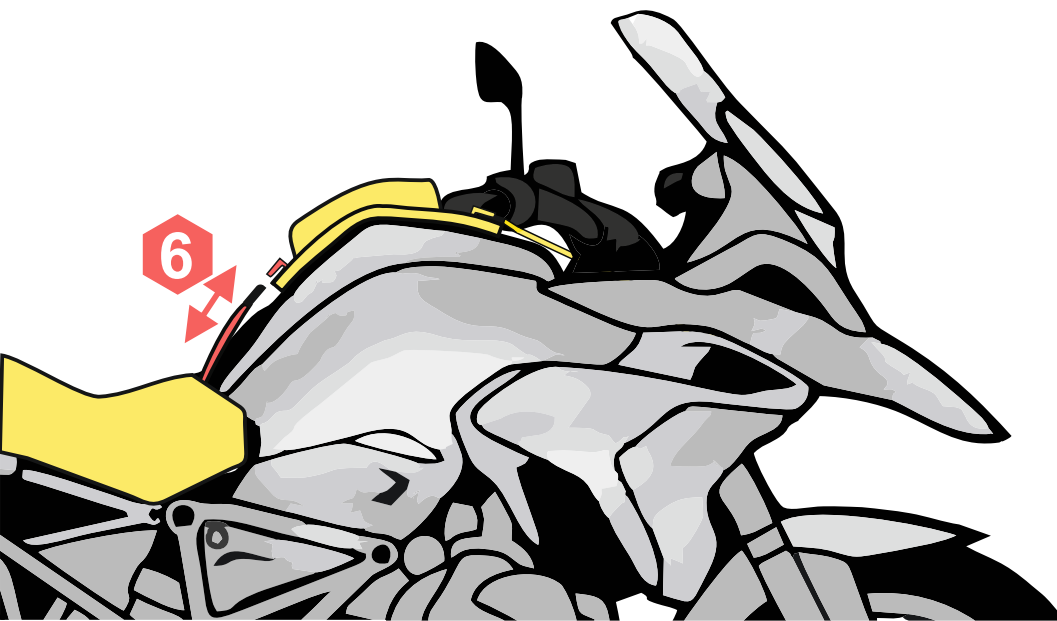
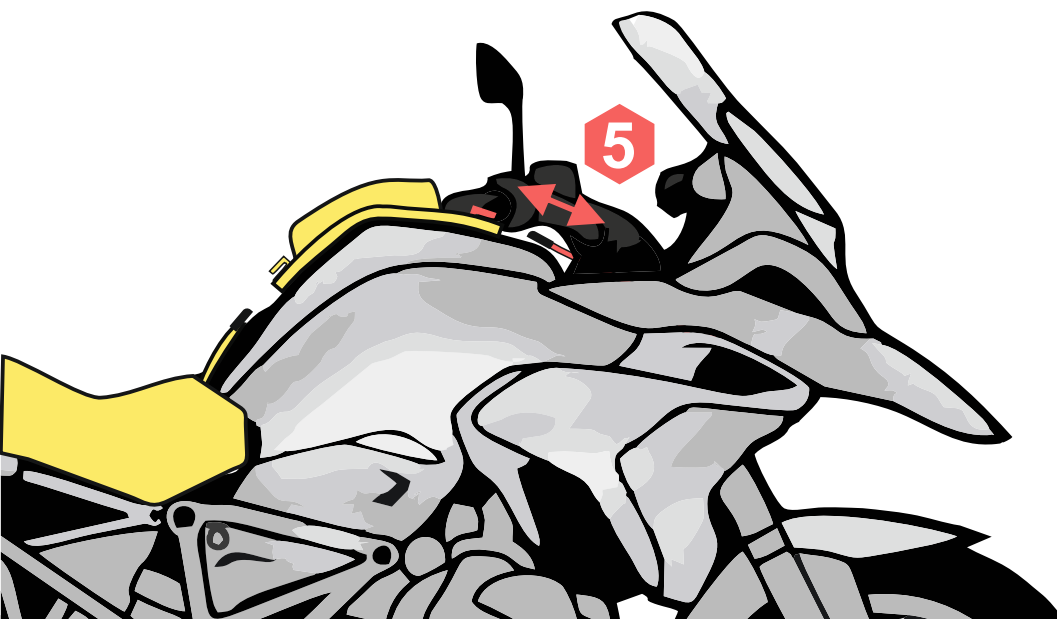
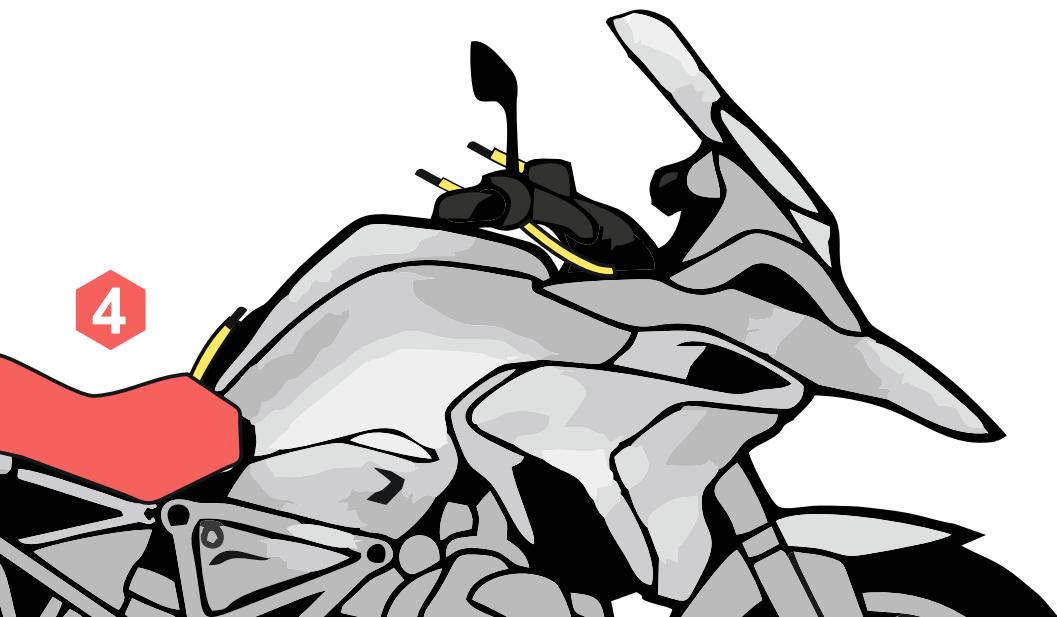
KEEN  
M244

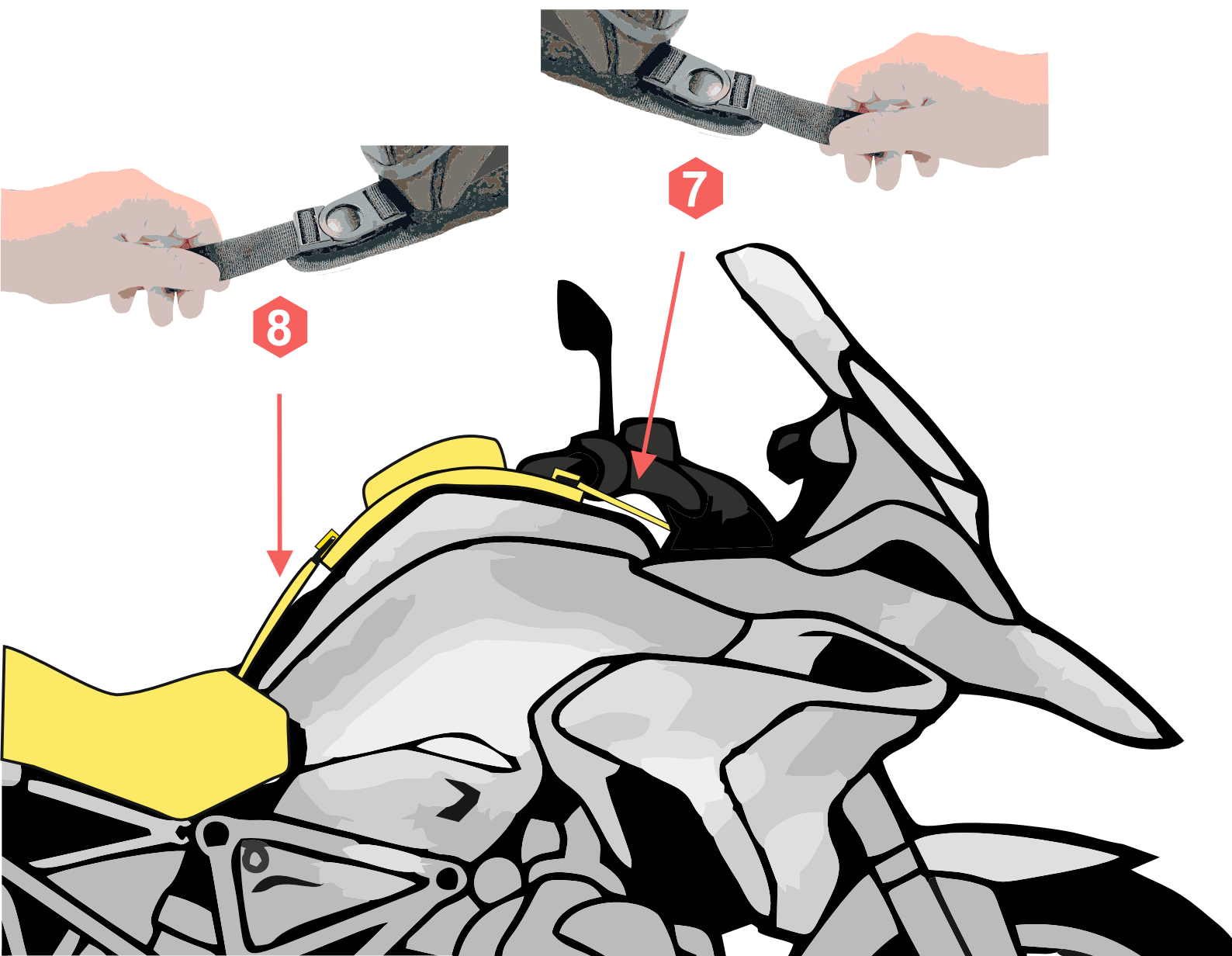


OPTION A









### OPTION A

